



Haws nøddusjsøyle, modell 8330 Axion

Best. nr: 8330AX

Anslutning: DN 32 – 1 ¼" RG (BSP)

Total vannmengde: 91 l/min. (77 + 14 l/min.)

Avløp: DN 32 – 1 ¼" RG

Rør, rørdeler, skål, dusjhode, drahåndtak og aktiveringsplate i rustfritt stål – AISI 304

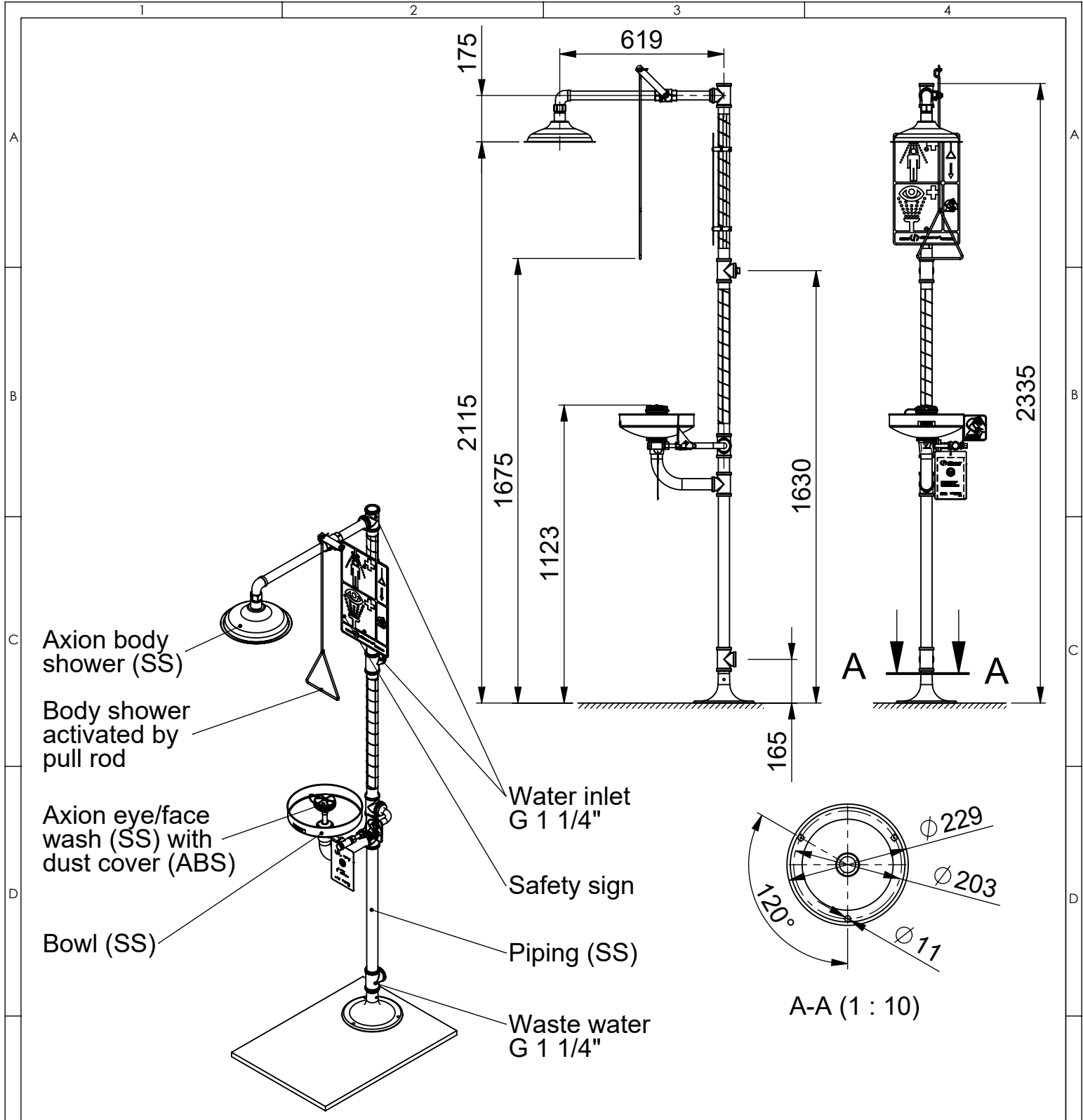
Axion msr spylemunnstykke og dusjhode

Automatisk trykk- og mengderegulering


Kan også leveres i syrefast utførelse (AISI 316), modell 8330 SS316

Vi anbefaler bruk av temperert vann til nøddusjsøyle,

Sikkerhetsblander: Modell 32E M eller 9201E

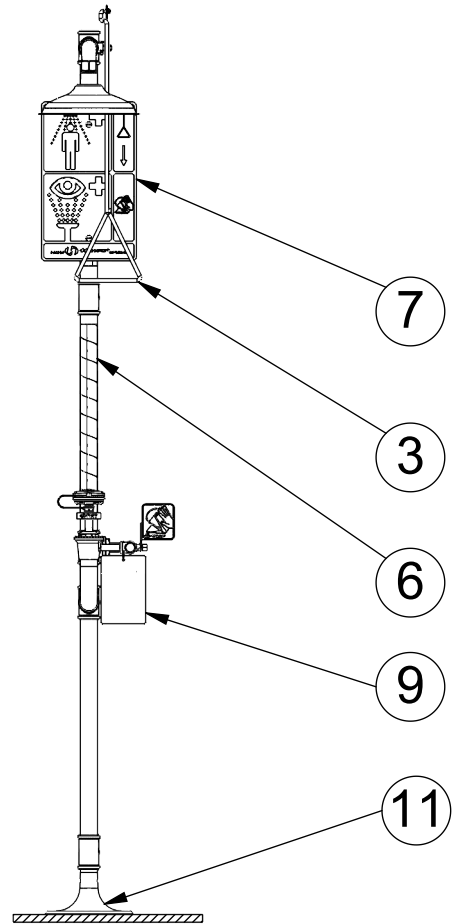
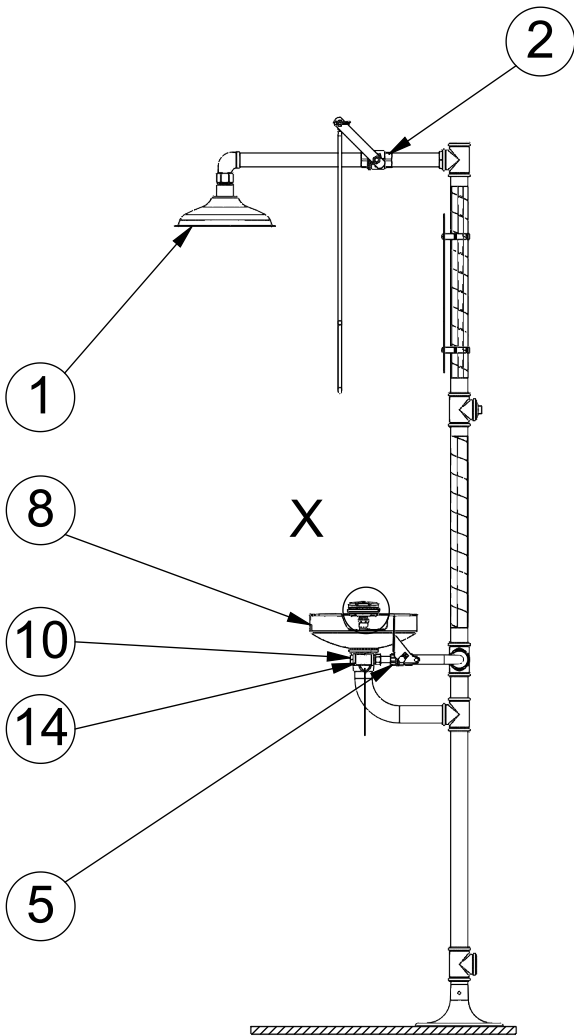
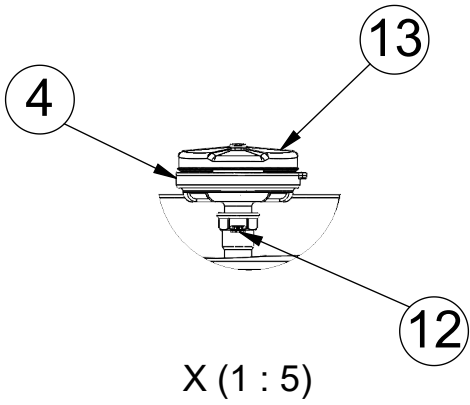



THESE DIMENSIONS MAY VARY +/- 12,7mm (1/2")

A	updated, drawings added		24.01.2017	busi	
REV	DESCRIPTION	ECN NO.	DATE	BY	
REVISIONS					
CATEGORY ASSEMBLY DRAWING		MATERIAL 1.4301 (X5CrNi18-10)		TITLE 8330 AXION	
 <p>T +41 (0)34 420 60 00 F +41 (0)34 420 60 01</p> <p>BACHWEG 3 CH3401 BURGENDORF SWITZERLAND</p> <p>www.haws.ch info@haws.ch</p>		SURFACE - WEIGHT (kg) 22.74		SPECIFICATION Combination Shower and Eye/Face Wash	
		APPROVALS - DATE			
		MODELLED RuJe 09.09.2015		PART NO. 10004884	
		DRAWN ruje 09.09.2015			
REVISED busi 24.01.2017					
CHECKED bido 23.01.2019		SIZE DOCUMENT NO.		REV.	
SCALE 1:20		A4 0016885		A	
General tolerances ISO 2768-mK					

PARTS BREAKDOWN

ITEM	PART NU.	DESCRIPTION
1	SP829SS	Axion Shower Head
2	SP265	Valve Assembly
3	SP200	Pull Rod
4	SP65SS	Axion Eye/Face Wash Head
5	SP228	Valve Assembly
6	SP185	Stripe Tape
7	SP178	Shower Sign
8	SP90	Bowl
9	SP170	Test Tag
10	SP509SS	Strainer
11	SP75SS	Floor Flange
12	SP37.5	Flow Control
13	SP9091	Dust Cover
14	VRKEWSTRSS	Repair Kit for SP509SS



A	updated, drawings added		24.01.2017	busi		
REV	DESCRIPTION	ECN NO.	DATE	BY		
REVISIONS						
CATEGORY	MATERIAL	TITLE				
ASSEMBLY DRAWING	1.4301 (X5CrNi18-10)	8330 AXION				
 <p>T +41 (0)34 420 60 00 F +41 (0)34 420 60 01</p> <p>BACHWEG 3 CH3401 BURGENDORF SWITZERLAND</p> <p>www.haws.ch info@haws.ch</p>	SURFACE	WEIGHT (kg)	SPECIFICATION			
	-	22.74			Combination Shower and Eye/Face Wash	
	APPROVALS	DATE	PART NO.			
	MODELLED	09.09.2015			10004884	
	DRAWN	09.09.2015				
REVISED	24.01.2017	SIZE		DOCUMENT NO.	REV.	
CHECKED	23.01.2019	A4		0016885	A	
SCALE 1:20		SHEET 2 OF 2		General tolerances ISO 2768-mK		