



Haws nøddusjsøyle, modell 8320 Axion ECO

Best. nr: 8320 PCAX ECO

Anslutning: 1 1/4" RG (BSP)

Total vannmengde: 86 l/min. (75 l/min + 11 l/min)

Avløp: 1 1/4" RG (BSP)

Axion øye- og ansiktdusj munnstykke

Rør i varmgalvanisert stål, lakkert med grønn pulverlakk

Dusjhode, skål og spylemunnstykker i kjemikaliebestandig ABS-plast

Axion spylemunnstykke og dusjhode

Betjeningshendel og drahåndtak i rustfritt stål

Automatisk trykk- og mengderegulering

Skilt for veggmontering (ikke med rør-klipps)

Kan også leveres for veggmontering. Veggfester (2 stk.) bestilles separat (art.nr. WAHaws)

Vi anbefaler bruk av temperert vann til nøddusjsøyle,

Sikkerhetsblander: Rada 32EM eller Modell 9201E



Veggfester (tilleggsutstyr)





Standard ANSI/ISEA Z358.1

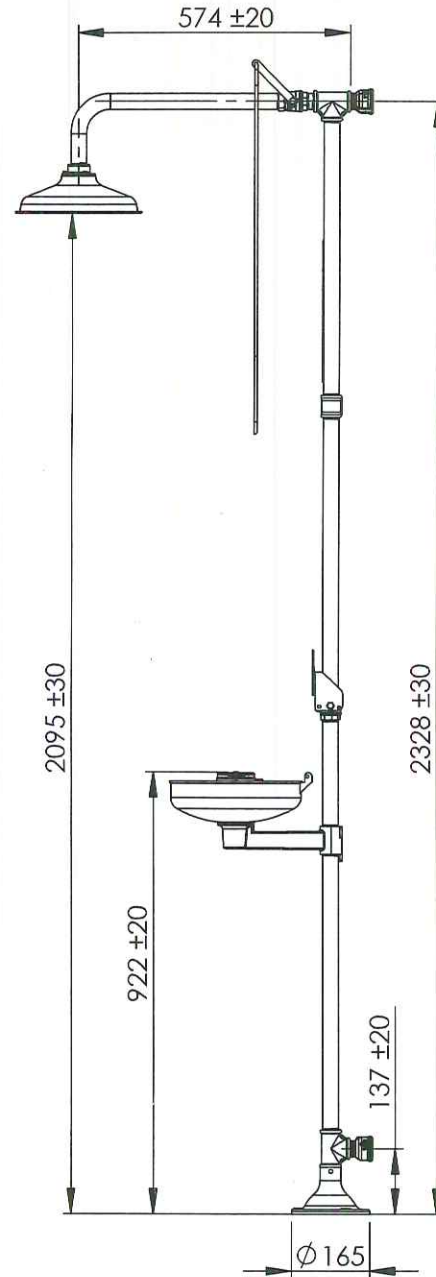
ABNT - NBR - 16291

Model: AXION.001-CL

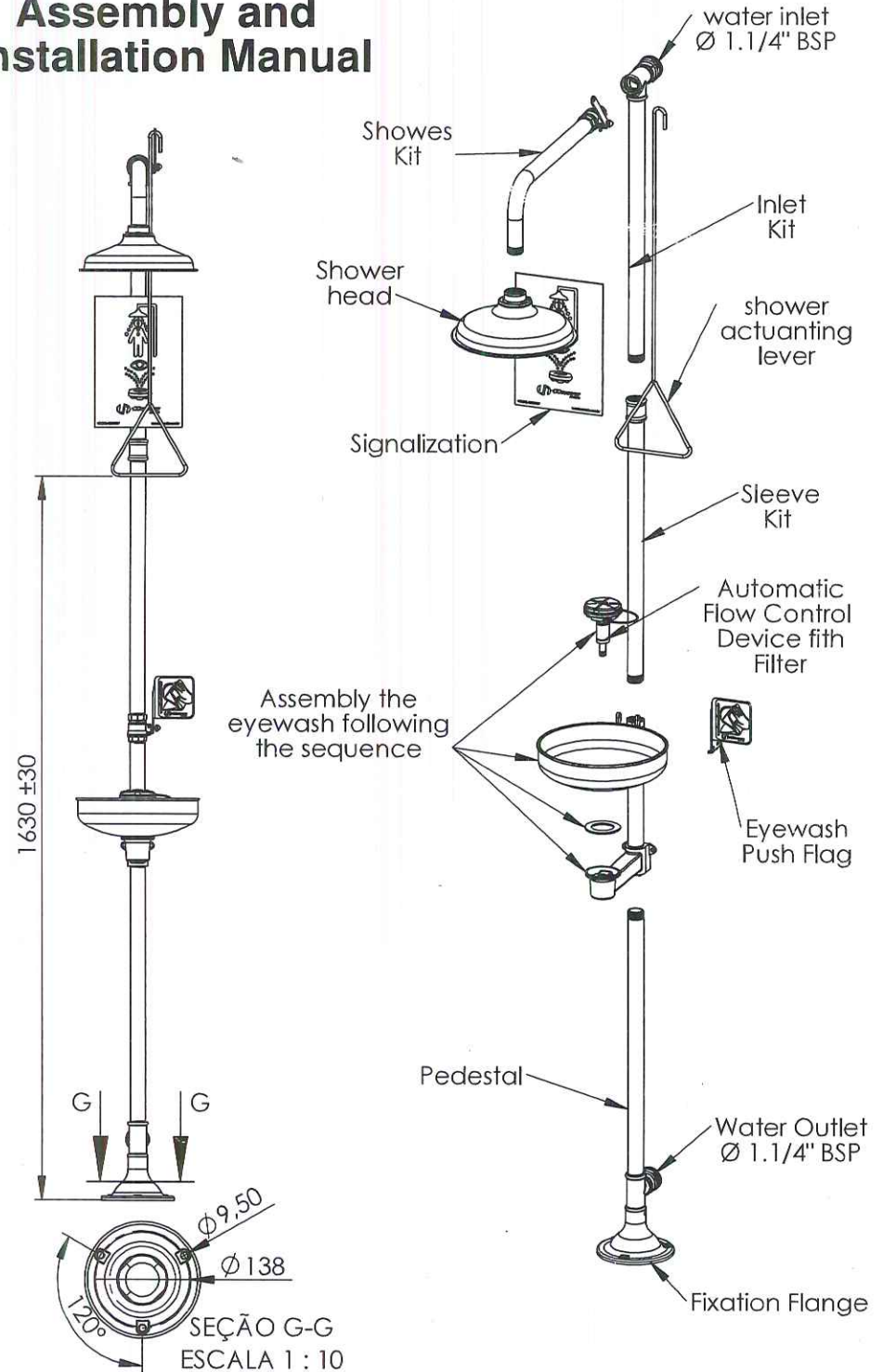
Under conditions of adequate pressure, the product will have a minimum flow:
Shower: 75,7 L/min.
Eyewash: 11 L/min.

Attention:

Intall the product according to the drawing. Use thread sealant on the connections of the parts during assembly.
 Fix the product on the floor with the dynabolt screws 5/16" x 2.1/2".
 The equipment must be activated once a week to check your performance.
 The recommended pressure by ANSI Z358.1 is from 2,1Kgf/cm².
 Haws Avlis a minimum pressure recommended pressure is 3Kgf/cm² (43,5psi) for a good performance of both (shower and eyewash).
 If you have any doubts, please contact us by phone +55(11)4813-9977 or e-mail: export@hawsavlis.com.br



Assembly and Installation Manual





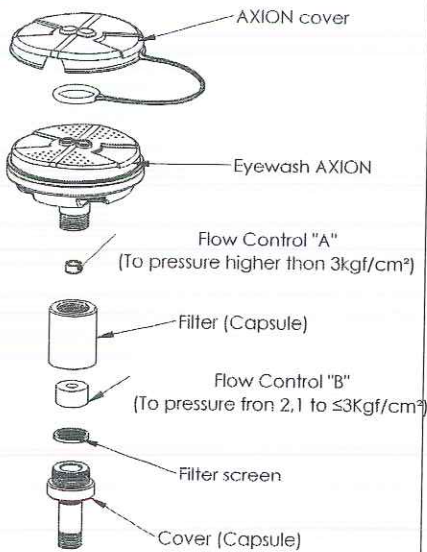
**Plug and Filter
to Flow Control**

STANDARD ANSI/ISEA Z358.1

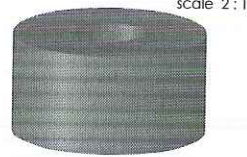
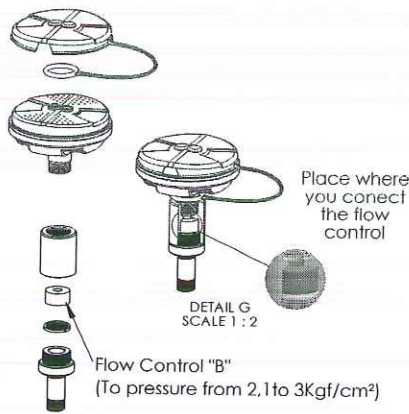
ABNT - NBR - 16291

**Intruccion Manual to
Flow Control**

Kit

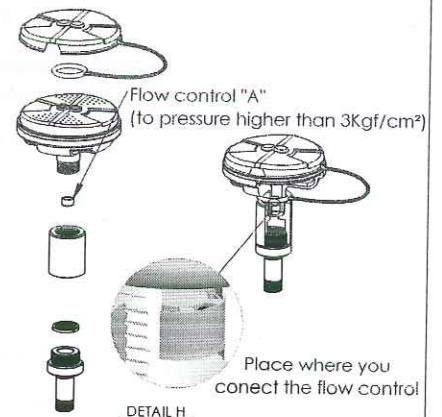


**Assembly to water line which the
pressure is from 2,1 to 3Kgf/cm².**



Flow Control "B"
(To Pressure From 2,1 to 3Kgf/cm²)

**Assembly to water line which
pressure os higher than 3Kgf/cm².**



Flow Control "A"
(to pressure higher than 3Kgf/cm²)

ATTENTION: The AXION eyewash/face will not work if they are assembly **with both** flow control (flow control "A" and "B"). You need choose only one (Accordin to your need).