



## Haws frostsikker øyedusj, modell 7433FP Axion

Best. nr: 7433FP Axion

Anslutning: DN 15 – ½" RG

Vannmengde: 14 l/min.

Øyedusjen er frostsikker – dreneres via selvdrenerende ventil på innsiden av veggen.

Skål og aktiveringsplate i rustfritt stål

Axion spylemunnstykker i kjemikaliebestandig ABS-plast.

Rør og rørdeler i varmgalvanisert stål. Kuleventil i forkrommet messing.

Automatisk trykk- og mengderegulering.

Veggfeste

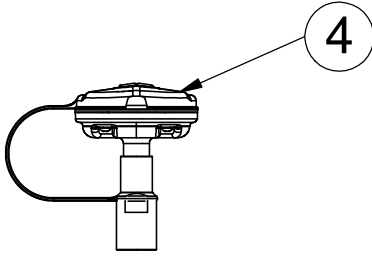
*Vi anbefaler bruk av temperert vann til øye/ansiktsdusj,*

*Sikkerhetsblander: Modell MixSafe V3*

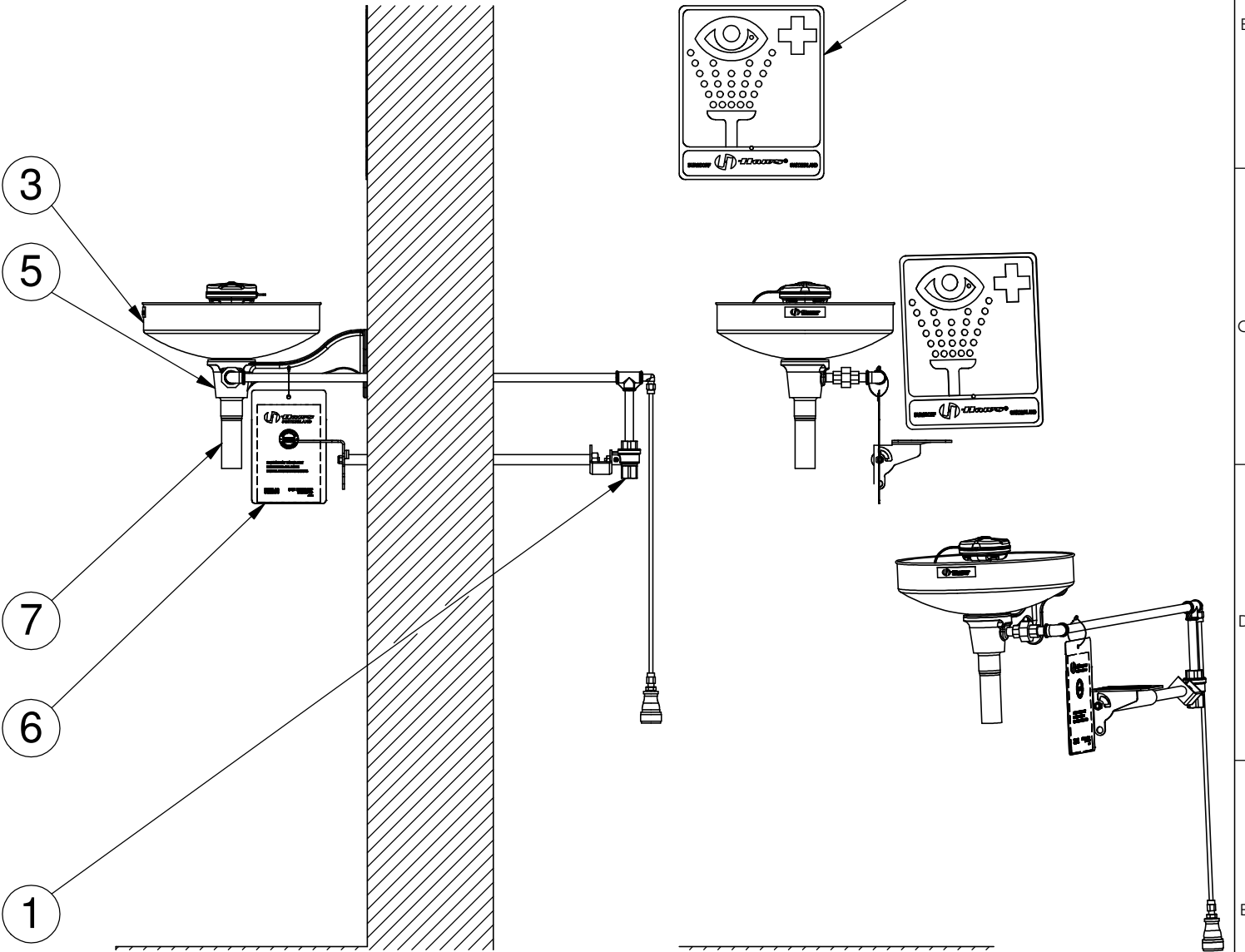
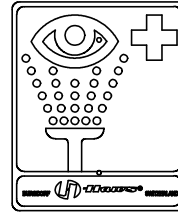


# PARTS BREAKDOWN

ITEM	PART NU.	DESCRIPTION
1	SP402	Valve assembly
2	SP175	Eyewash sign
3	SP90	Bowl
4	SP65CTFP	Axion eye/face wash head
5	SP80	Bracket
6	SP170	Test Tag
7	5744529	Tailpiece



SP65CTFP EYE WASH ASSEMBLY



## PARTS BREAKDOWN



**WHEN ORDERING PARTS PLEASE SPECIFY YOUR MODEL NUMBER**

T +41 (0)34 420 60 00  
F +41 (0)34 420 60 01

BACHWEG 3  
CH3401 BURGENDORF  
SWITZERLAND

www.haws.ch  
info@haws.ch

TITLE  
7433FP Axion  
Eye Wash

APPROVALS	DATE
DRAWN Jeannine Ruf	16.02.2012
CHECKED Jeannine Ruf	16.02.2012
REVISED Jeannine Ruf	29.05.2012
PART NO.	
ECN NO.	

MATERIAL	
SIZE A4	DRAW NO. 2080048/1
SCALE 1:10	REV. SHEET 1 OF 1

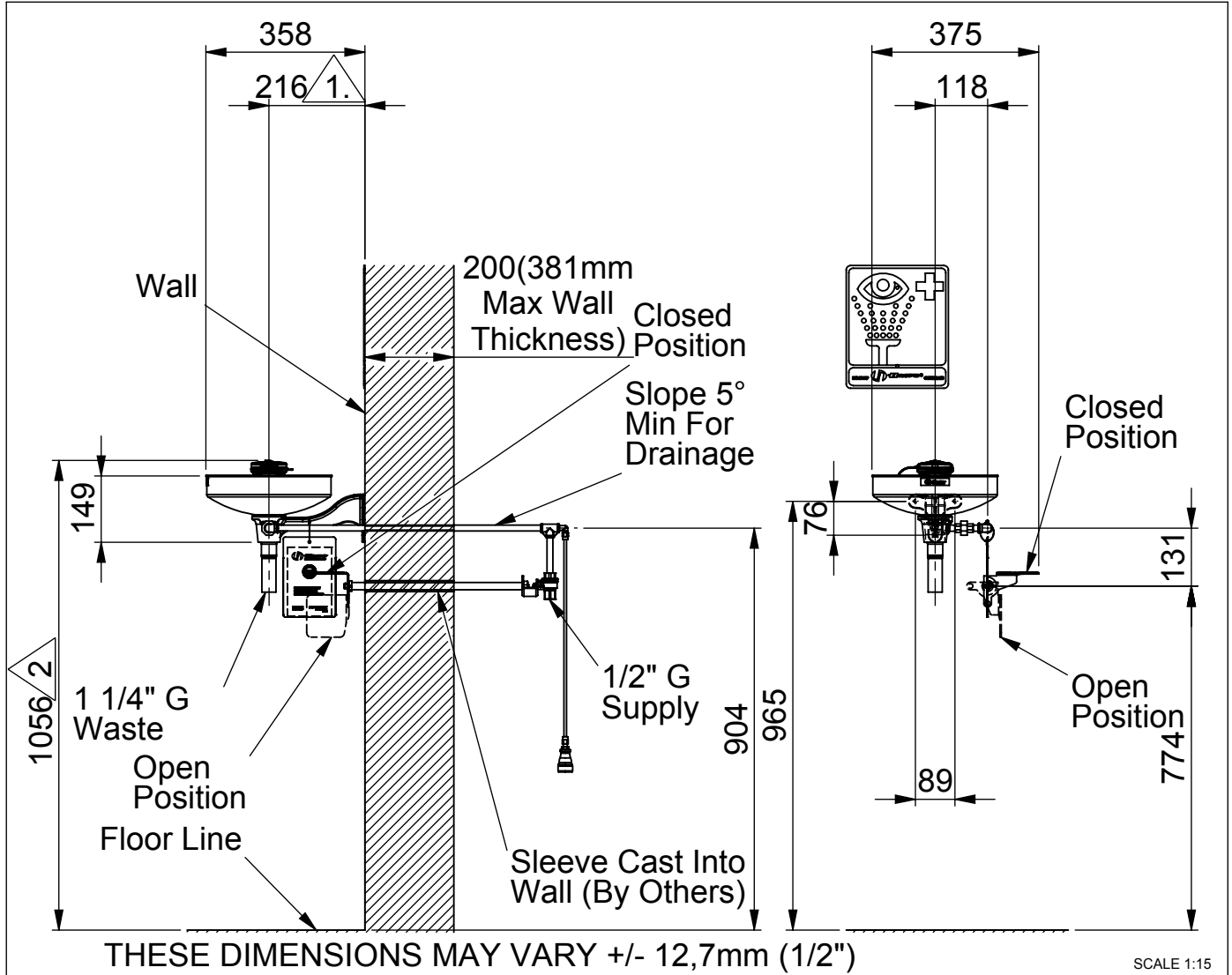
ZONE	REV	DESCRIPTION	ECN	DATE	BY
REVISIONS					

THIS DOCUMENT AND THE DATA DISCLOSED HEREIN OR HEREWITH IS NOT TO BE REPRODUCED, USED, OR DISCLOSED IN WHOLE OR IN PART TO ANYONE WITHOUT THE PERMISSION OF HAWS CORPORATION.

# Model 7433FP Axion Eye Wash

No.2080048/1

NOTE TO INSTALLER: please leave this information with the maintenance department.



### Legally-stipulated dimensions:

- ① Ensure that there is a minimum clearance of 150mm (6") with respect to the nearest wall or obstacle.
- ② Height above floor level: 800mm - 1200mm (2' 7 1/2" - 3' 11 1/4").

Free access to the eywash station 7433FP Axion must be guaranteed all times. The operator is responsible for the observance of this requirement.



## Model **7433FP Axion**      **Eye Wash**

No.2080048/1

**Shower location:** The eyewash station 7433FP Axion must be installed in the vicinity of potential danger zones. It must be highly visible and easily accessible.

**Connection conduit:** You are recommended to use a 1/2" G conduit, capable of withstanding pressures of 2 - 6 BAR (30 - 90 PSI). The use of an inlet filter designed to prevent the entry of suspended particles and other impurities is also recommended.

**Water quality:** Eyewash stations require a supply of drinking water conforming to European standards or their equivalents in other countries.

**Water temperature:** The required water temperature should be determined by the user. The accepted ideal range is 15 - 35°C / 60 -95°F (but please ensure conformity with local regulations).

**Volume flow:** A minimum flow rate of 6 litres / 1,6 US gallons per minute must be maintained. The eyewash station must be capable of delivering this amount of water for at least 15 minutes.

**Connection to plumbing system:** The inlet consists of a 1/2" G conduit with female-thread adapter, while the outlet is a 1" G threaded conduit.

### **Regular inspection:**

The eyewash station 7433FP Axion should be inspected at weekly intervals. The inspection tag should be dated and signed after each check.

### **TROUBLESHOOTING**

Problem	Repair-checklist
1. No flow	Check the main shutoff valve.
2. Insufficient flow of water	<ol style="list-style-type: none"><li>1. Check the line pressure. This should be at least 2 BAR / 30 PSI (dynamic).</li><li>2. Blocked flow, possibly due to the conduit not being correctly flushed out. Dismantle the T-piece, and clean the rubber flow-regulator.</li></ol>
3. Flow rate is not as specified	The flow conduit may be blocked (for remedy see above). The eyewash station may not have been set up correctly.
4. Water does not discharge correctly	Check the building's main drainage outlet. Note that it must have adequate capacity to handle the entire drainage system.