



Haws nøddusjsøyle, modell 8320 WA Axion

Best. nr: 8320WA PCAX
NRF-nr: 4503545

Anslutning: DN 32 – 1 ¼" RG

Total vannmengde: 91min.

Rør i varmgalvanisert stål, lakkert med grønn pulverlakk.

Axion spylemunnstykke og dusjhode

Dusjhode, skål og spylemunnstykker i kjemikaliebestandig ABS-plast

Betjeningshendel og drahåndtak i rustfritt stål

Leveres med veggfester

Automatisk trykk- og mengderegulering

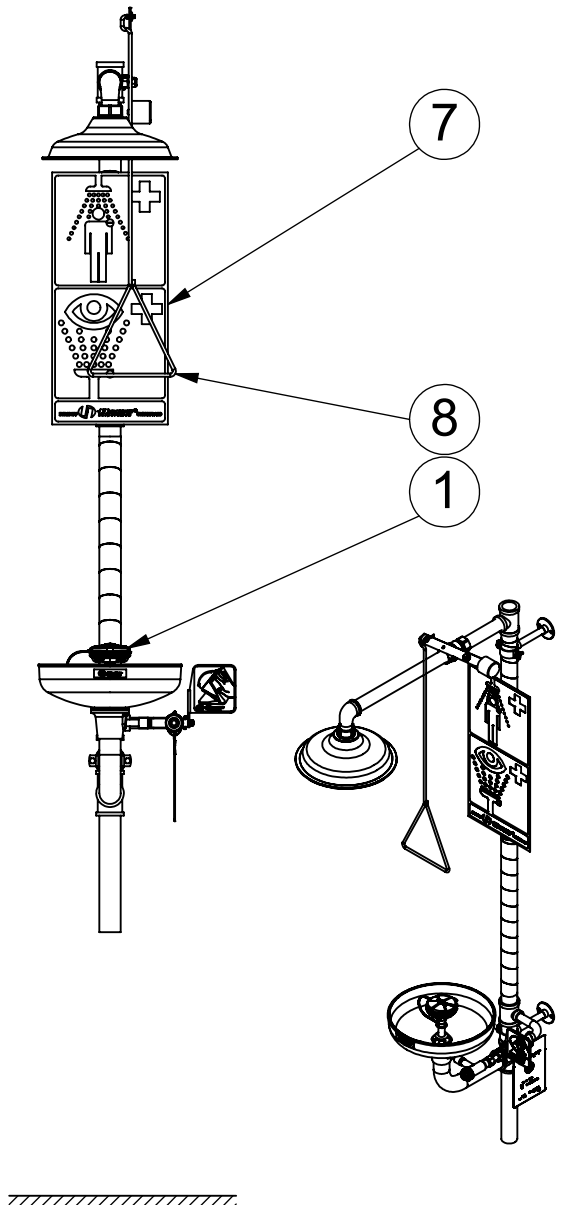
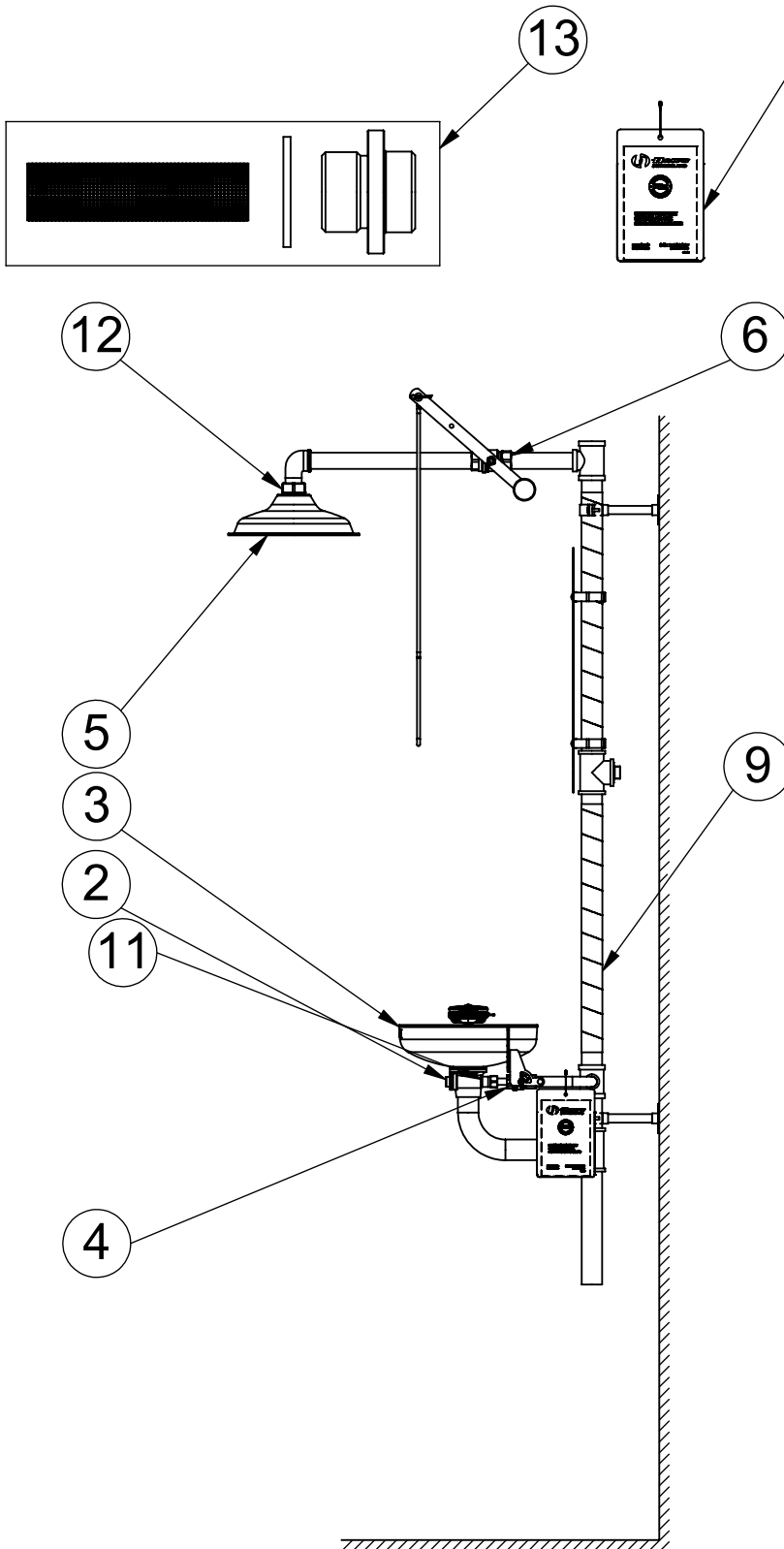
*Vi anbefaler bruk av temperert vann til nøddusjsøyle,
Sikkerhetsblander: Modell 9201E*



REVISIONS					
ZONE	REV	DESCRIPTION	ECN	DATE	BY

PARTS BREAKDOWN

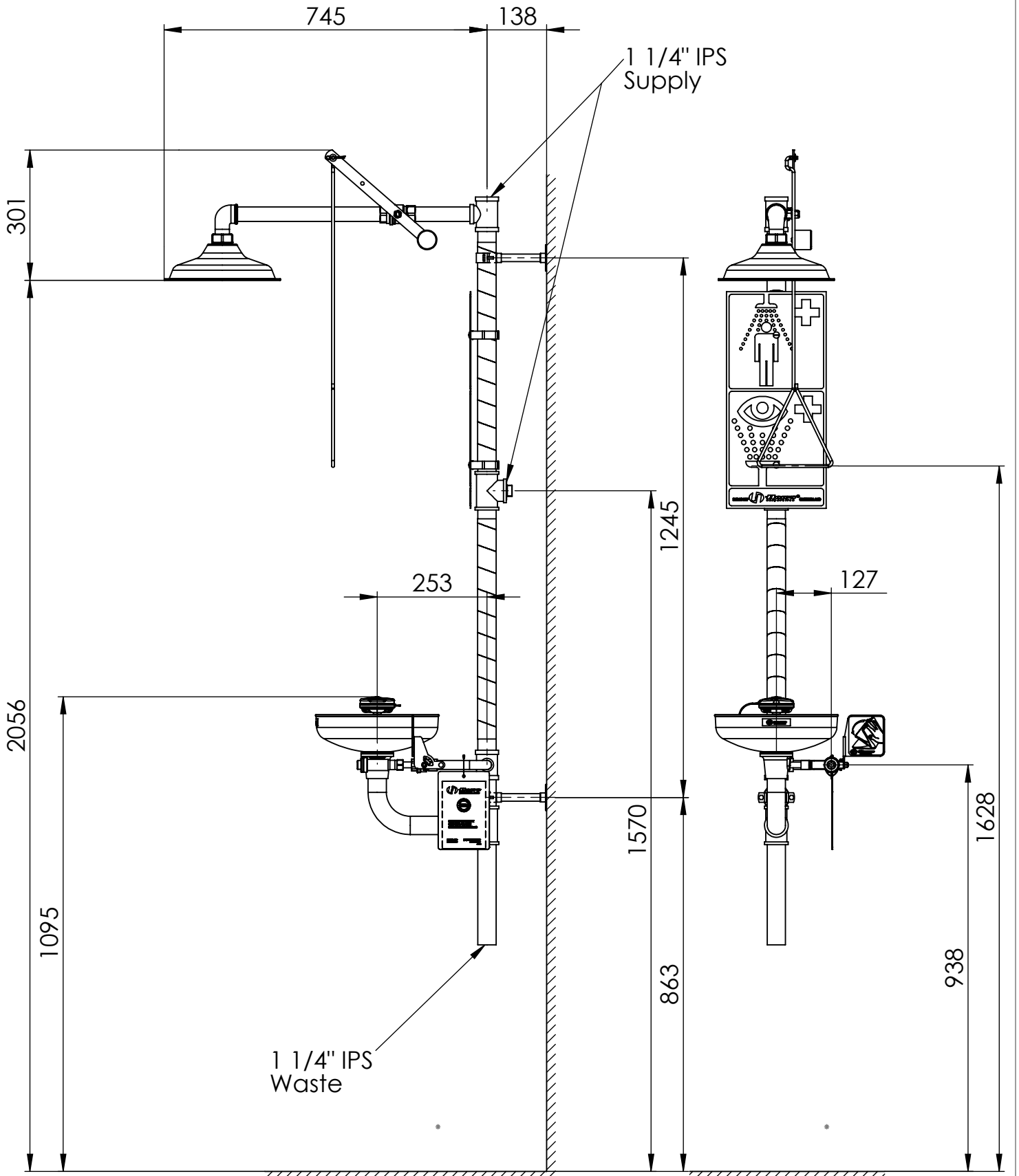
ITEM	PART NU.	DESCRIPTION
1	SP65	Axion Eye/Face Wash
2	SP509	L-Strainer
3	SP93	Bowl
4	SP225	Valve Assembly
5	SP829B	Axion Shower Bell
6	SP260	Shower Valve Assembly
7	SP178	Shower Sign
8	SP200	Pull Rod
9	SP185	Stripe Tape
10	SP170	SP170 Test Tag
11	3049570.10	Bowl Holder
12	SP829	Axion Shower Head
13	VRKEWSTR	Repair Kit to SP509




PARTS BREAKDOWN		ECN NO.			
WHEN ORDERING PARTS PLEASE SPECIFY YOUR MODEL NUMBER MATERIAL		APPROVALS	DATE	T +41 (0)34 420 60 00 BACHWEG 3 www.haws.ch F +41 (0)34 420 60 01 CH3401 BURGDORF info@haws.ch SWITZERLAND	
		DRAWN	13.04.2011		
		CHECKED			
		Draw-Nr.			
		TITLE		8320WAAxion Shower and Eyewash	
		SIZE PART NO.		A4 2080170/2	
		SCALE 1:15		PARTS BREAKDOWN SHEET 1 OF 1	

THIS DOCUMENT AND THE DATA DISCLOSED HEREIN OR HEREWITH IS NOT TO BE REPRODUCED, USED, OR DISCLOSED IN WHOLE OR IN PART TO ANYONE WITHOUT THE PERMISSION OF HAWS CORPORATION.

REVISIONS					
ZONE	REV	DESCRIPTION	ECN	DATE	BY



THESE DIMENSIONS MAY VARY +/- 1/2" (12,7mm)

Data Sheet	ECN NO.				
	APPROVALS	DATE			
	DRAWN	24.11.2010	T +41 (0)34 420 60 00 F +41 (0)34 420 60 01	BACHWEG 3 CH3401 BURGENDORF SWITZERLAND	www.haws.ch info@haws.ch
	CHECKED		TITLE 8320WAxion Shower and Eyewash		
MATERIAL	Draw-Nr.	SIZE PART NO. A4 2080170/2		REV.	
		SCALE 1:12	PARTS BREAKDOWN	SHEET 1 OF 1	