



Haws nøddusjsøyle, modell 8320 Axion

Best. nr: 8320 PCAX

NRF-nr: 4503515

Anslutning: DN 32 – 1 ¼" RG

Total vannmengde: 91 l/min.

Avløp: DN 32 – 1 ¼" RG

Axion øyedusj munnstykke

Rør i varmgalvanisert stål, lakkert med grønn pulverlakk.

Dusjhode, skål og spylemunnstykker i kjemikaliebestandig ABS-plast

Axion spylemunnstykke og dusjhode

Betjeningshendel og drahåndtak i rustfritt stål

Automatisk trykk- og mengderegulering

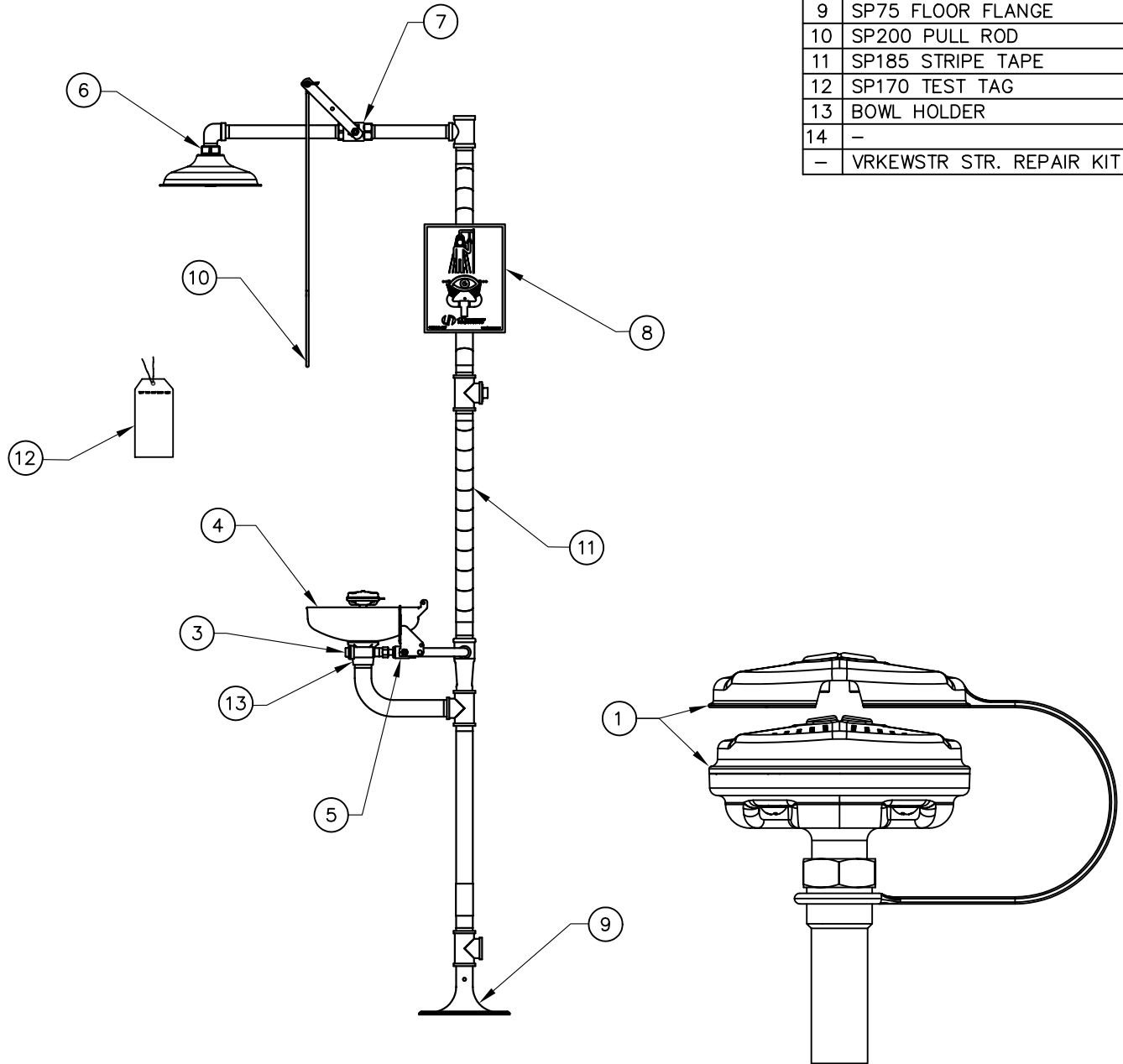
Vi anbefaler bruk av temperert vann til nøddusjsøyle,

Sikkerhetsblander: Modell 9201E



PARTS BREAKDOWN

ITEM	DESCRIPTION
1	SP65 EYE/FACE WASH ASSY
2	-
3	SP509 L-STRAINER
4	SP93 BOWL
5	SP225 VALVE ASSEMBLY
6	SP829 SHOWER HEAD
7	SHOWER VALVE ASSEMBLY
8	SP178 SHOWER SIGN
9	SP75 FLOOR FLANGE
10	SP200 PULL ROD
11	SP185 STRIPE TAPE
12	SP170 TEST TAG
13	BOWL HOLDER
14	-
-	VRKEWSTR STR. REPAIR KIT



SP65 EYE/FACE WASH ASSEMBLY

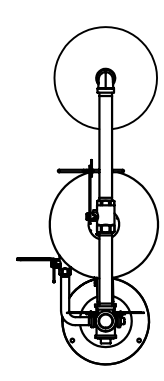
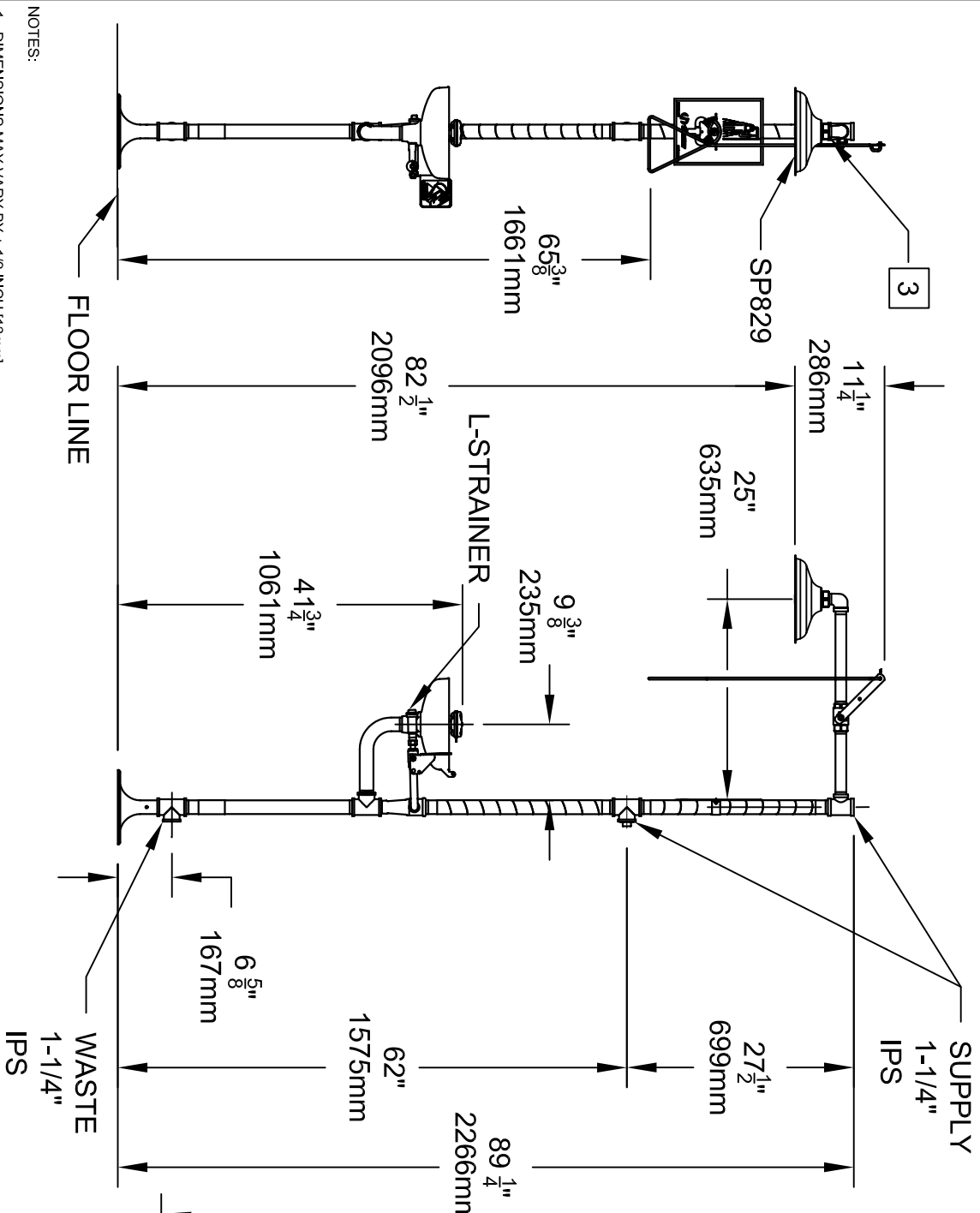
REV	DESCRIPTION	ECN	DATE	BY/APVD
18	UPDATED PER ECN	4367	12/3/09	IR
REVISIONS				

**WHEN ORDERING
PARTS PLEASE
SPECIFY YOUR
MODEL NUMBER**



1455 KLEPPE LANE
SPARKS, NEVADA 89431
(775) 359-4712 FAX (775) 359-7424
E-MAIL: HAWS@HAWS.CO.COM
WEBSITE: WWW.HAWS.CO.COM

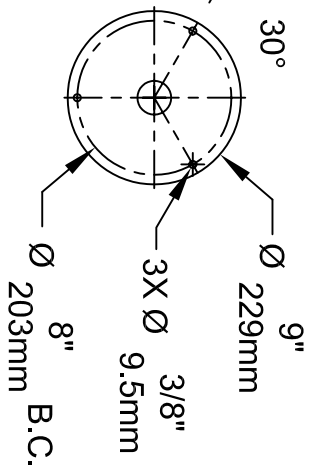
DRAWN BY: CLF	DATE: 03/12/93	CHECK BY:	APPVD BY:	SCALE: 1/2
TITLE: 8320/8320CRP/8325			PART NUMBER: 0002080170	
DRAWING TYPE: PARTS BREAKDOWN			DRAWING NUMBER: 11495C00	REV: 18



TOP VIEW

MOUNTING DETAIL

SCALE 10:1



WASTE
1-1/4"
IPS

SUPPLY
1-1/4"
IPS

NOTES:

1. DIMENSIONS MAY VARY BY ± 1/2 INCH [13mm].

2. TO COMPLY WITH ANSI Z358.1-2009 FOR EMERGENCY EYEWASH OR EYEFACE WASH AND SHOWER EQUIPMENT:

- UNIT SHALL BE INSTALLED IN ACCORDANCE WITH MANUFACTURER'S INSTRUCTIONS AND ACCEPTABLE PLUMBING PRACTICES.
- EYEWASH OR EYEFACE WASH SHALL BE POSITIONED WITH NOZZLES NOT LESS THEN 83.8 CM (33 IN.) AND NO GREATER THAN 114.3 CM (45 IN.) FROM SURFACE ON WHICH USER STANDS AND 15.3 CM (6 IN.) MINIMUM FROM WALL OR NEAREST OBSTRUCTION.
- SHOWER SHALL BE POSITIONED SO THAT SHOWER HEAD IS NOT LESS THAN 208.3 CM (82 IN.) NOR MORE THAN 243.8 CM (96 IN.) FROM SURFACE ON WHICH USER STANDS.
- SHOWER SPRAY PATTERN SHALL HAVE A MINIMUM DIAMETER OF 50.8 CM (20 IN.) AT 152.4 CM (60 IN.) ABOVE SURFACE ON WHICH USER STANDS, AND CENTER OF SPRAY PATTERN SHALL BE LOCATED AT LEAST 40.6 CM (16 IN.) FROM ANY OBSTRUCTION.

3. DO NOT USE REGULAR PIPE SEALANT. IF NECESSARY USE DOW CORNING 832 SEALANT PLACING 5 SMALL BEADS ON THE MALE THREADS, JUST ABOVE THE FIRST THREAD.

		1455 KLEPPE LANE	
SPARKS, NEVADA 89431		(775) 359-4712 FAX (775) 359-7424	
E-MAIL: HAWS@HAWS.CO.COM		WEBSITE: WWW.HAWS.CO.COM	
ED. NO. 1	REVISIONS	MODEL(S):	8320/8320CRP/8325
DATE: 5/01/08	DATE: 5/01/08	INFO FAX DOC #:	28320/28325
APPROVER:	DATE:	INSTALLATION/BACK:	
SIZE: A	SHEET: 1 OF 1	DATE:	