



Haws nøddusjsøyle, modell 8317 Axion

Best. nr: 8317 PCAX

NRF-nr: 4503513

Anslutning: DN 32 – 1 ¼" RG

Total vannmengde: 91 l/min.

Rør i varmgalvanisert stål, lakkert med grønn pulverlakk.

Axion spylemunnstykke og dusjhode

Dusjhode og spylemunnstykker i kjemikaliebestandig ABS-plast

Betjeningshendel og drahandtak i rustfritt stål

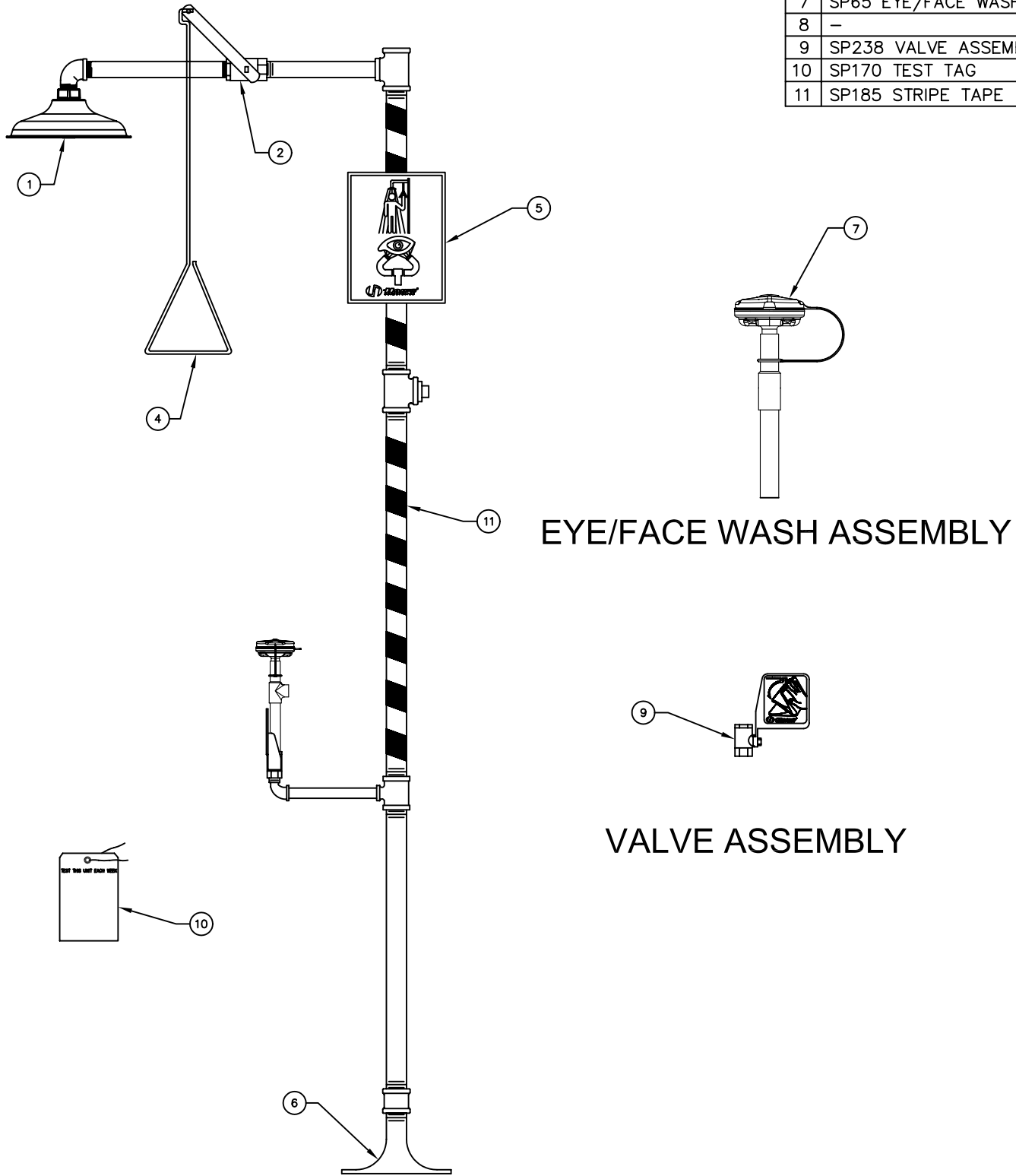
Automatisk trykk- og mengderegulering

*Vi anbefaler bruk av temperert vann til nøddusjsøyle,
Sikkerhetsblander: Modell 9201E*



ITEM	DESCRIPTION
1	SP829 SHOWER HEAD
2	SHOWER VALVE ASSEMBLY
3	-
4	SP200 PULL ROD
5	SP178 SHOWER SIGN
6	SP75 FLOOR FLANGE
7	SP65 EYE/FACE WASH ASSY
8	-
9	SP238 VALVE ASSEMBLY
10	SP170 TEST TAG
11	SP185 STRIPE TAPE

PARTS BREAKDOWN




EYE/FACE WASH ASSEMBLY

VALVE ASSEMBLY

REV	DESCRIPTION	ECN	DATE	BY/APVD
17	UPDATED PER ECN	4367	12/3/09	IR
REVISIONS				

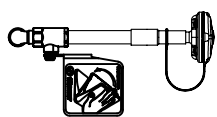
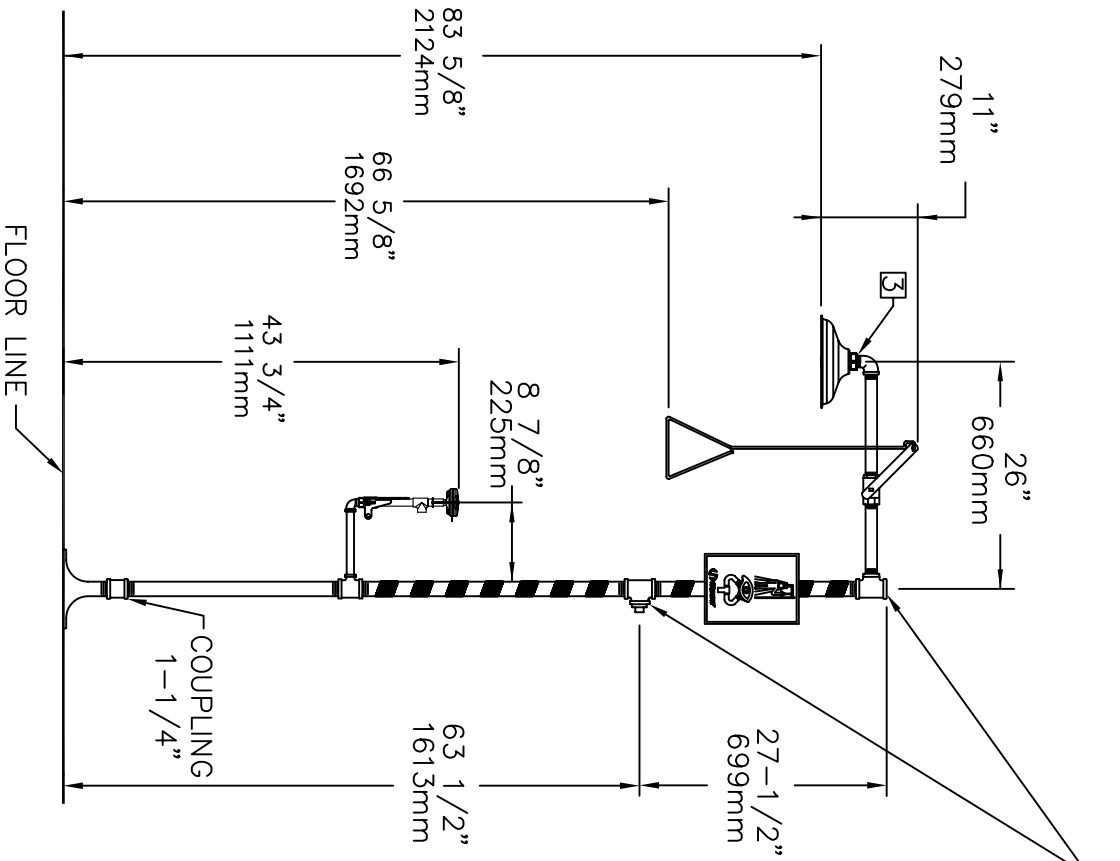
WHEN ORDERING PARTS PLEASE SPECIFY YOUR MODEL NUMBER



Haws
corporation

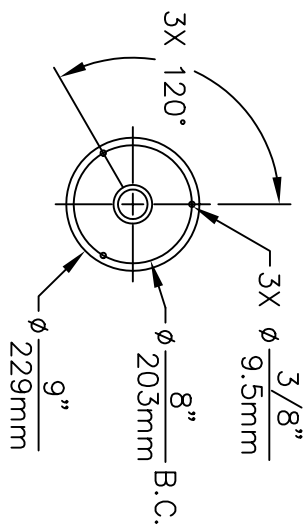
1455 KLEPPE LANE
SPARKS, NEVADA 89431
(775) 359-4712 FAX (775) 359-7424
E-MAIL: HAWS@HAWS.CO.COM
WEBSITE: WWW.HAWS.CO.COM

DRAWN BY: CLF	DATE: 03/11/93	CHECK BY:	APPVD BY:	SCALE: 1/6
TITLE: 8317 SHOWER EYEWASH COMBO			PART NUMBER: 0002080152	
DRAWING TYPE: PARTS BREAKDOWN			DRAWING NUMBER: 11493C00	REV: 17



EYE/FACE WASH DETAIL

MOUNTING DETAIL



NOTES:

1. DIMENSIONS MAY VARY BY ± 1/2 INCH (13mm).

 2. TO COMPLY WITH ANSI Z358.1-2009 FOR EMERGENCY EYEWASH OR EYE/FACE WASH AND SHOWER EQUIPMENT:
 - UNIT SHALL BE INSTALLED IN ACCORDANCE WITH MANUFACTURER'S INSTRUCTIONS AND ACCEPTABLE PLUMBING PRACTICES.
 - EYEWASH OR EYE/FACE WASH SHALL BE POSITIONED WITH NOZZLES NOT LESS THAN 83.8 CM (33 IN.) AND NO GREATER THAN 114.3 CM (45 IN.) FROM SURFACE ON WHICH USER STANDS AND 15.3 CM (6 IN.) MINIMUM FROM WALL OR NEAREST OBSTRUCTION.
 - SHOWER SHALL BE POSITIONED SO THAT SHOWER HEAD IS NOT LESS THAN 208.3 CM (82 IN.) NOR MORE THAN 243.8 CM (96 IN.) FROM SURFACE ON WHICH USER STANDS.
 - SHOWER SPRAY PATTERN SHALL HAVE A MINIMUM DIAMETER OF 50.8 CM (20 IN.) AT 152.4 CM (60 IN.) ABOVE SURFACE ON WHICH USER STANDS, AND CENTER OF SPRAY PATTERN SHALL BE LOCATED AT LEAST 40.6 CM (16 IN.) FROM ANY OBSTRUCTION.
- DO NOT USE REGULAR PIPE SEALANT. IF NECESSARY USE DOW CORNING 832 SEALANT PLACING 5 SMALL BEADS ON THE MALE THREADS, JUST ABOVE THE FIRST THREAD.



Haws
 corporation

1455 KLEPPE LANE

SPARKS, NEVADA 89431

(775) 359-4712 FAX (775) 359-7424

E-MAIL: HAWS@HAWS.CO.COM

WEBSITE: WWW.HAWS.CO.COM

MODEL(S): SHOWER & EYE/FACE WASH COMBINATION

INFO FAX DOC #:

28317

DESIGNER:	DATE:
CH:	DATE:
C.H.	DATE:

INSTALLATION/BACK

ORDER NO:	DATE:
QTY:	BY:
17	17