



Haws kroppsduj, modell 8122H Axion

Best. nr: 8122H

NRF-nr: 4503508

Anslutning: DN 25 – 1" RG

Vannmengde: 77 l/min.

Dusjhode i kjemikaliebestandig ABS-plast.

AXION msr – unikt kroppsdujhode

Rør i varmgalvanisert stål, lakkert med grønn pulverlakk.

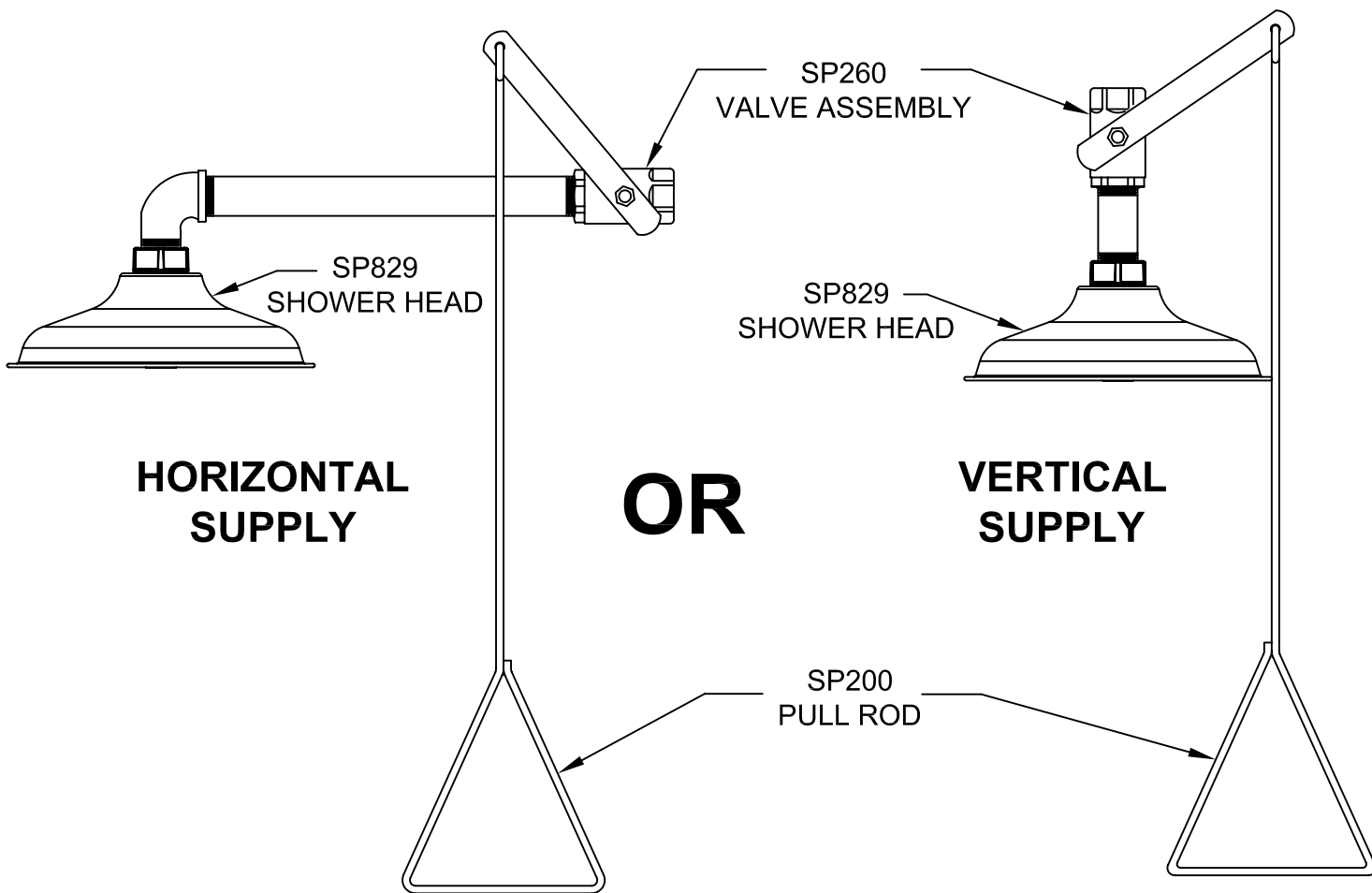
Drahåndtak i rustfritt stål.

Automatisk trykk- og mengderegulering.

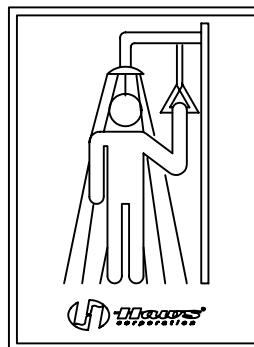
*Vi anbefaler bruk av temperert vann til kroppsduj,
Sikkerhetsblander: Modell 9201E*



PARTS BREAKDOWN



SP170
TEST TAG



SP177
SHOWER SIGN

REV	DESCRIPTION	ECN	DATE	BY/APVD
14	UPDATED PER ECN	4367	12/2/09	IR
REVISIONS				

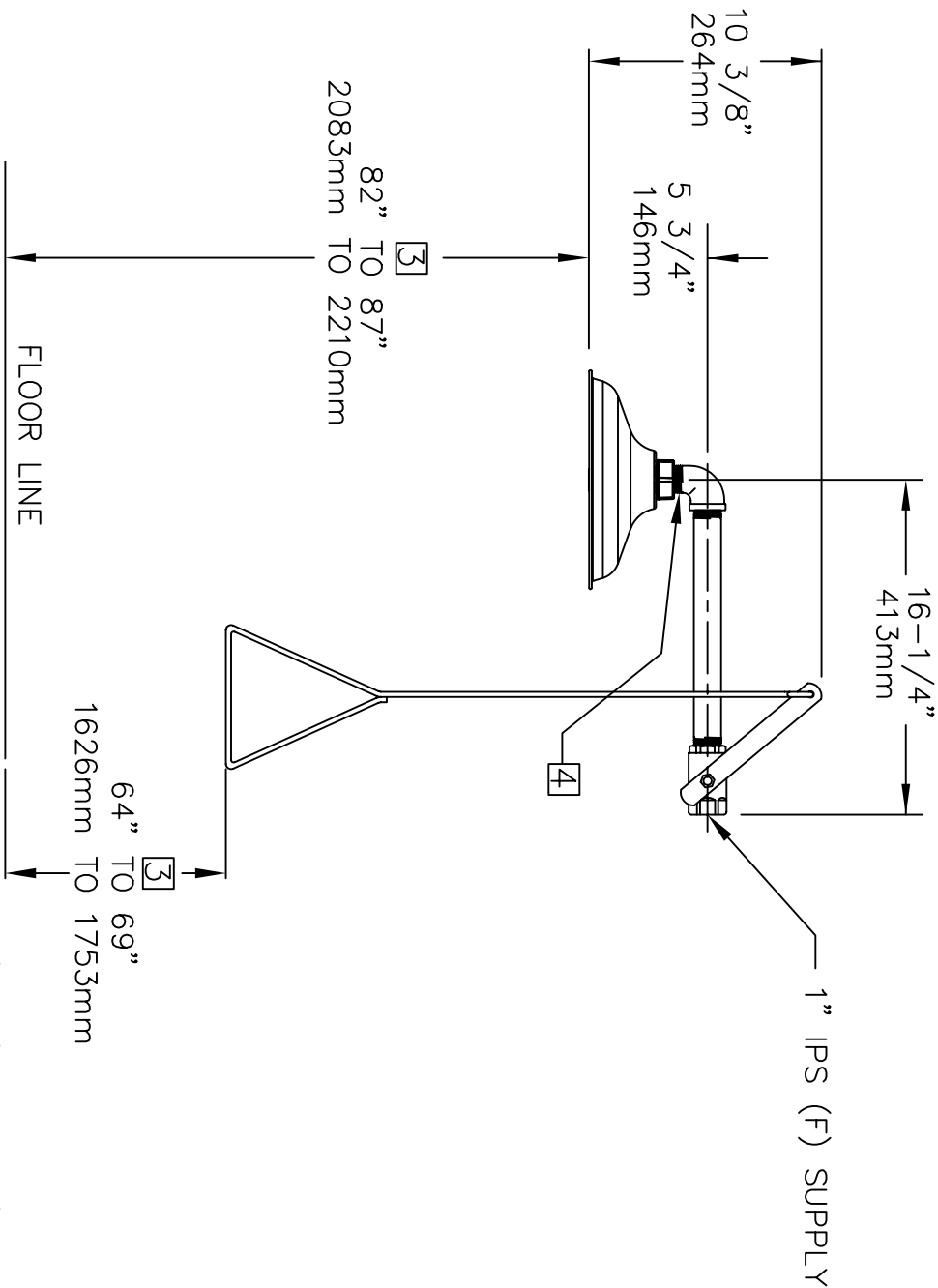
WHEN ORDERING PARTS PLEASE SPECIFY YOUR MODEL NUMBER



1455 KLEPPE LANE
SPARKS, NEVADA 89431
(775) 359-4712 FAX (775) 359-7424
E-MAIL: HAWS@HAWS.CO.COM
WEBSITE: WWW.HAWS.CO.COM

DRAWN BY: CLF	DATE: 3/08/93	CHECK BY:	APVD BY:	SCALE: 1/3
TITLE: MODEL 8122			PART NUMBER: 0002080114	
DRAWING TYPE: PARTS BREAKDOWN			DRAWING NUMBER: 11473C00	REV: 14

HORIZONTAL SUPPLY (STANDARD)



**SEE SHEET 2 OF 2 FOR
CONVERSION TO VERTICAL
SUPPLY CONFIGURATION**

NOTES:

1. DIMENSIONS MAY VARY BY ± 1/2 INCH [13mm].
2. TO COMPLY WITH ANSI Z358, 1-2009 FOR EMERGENCY EYEWASH OR EYEFACE WASH AND SHOWER EQUIPMENT:
 - UNIT SHALL BE INSTALLED IN ACCORDANCE WITH MANUFACTURER'S INSTRUCTIONS AND ACCEPTABLE PLUMBING PRACTICES.
 - SHOWER SHALL BE POSITIONED SO THAT SHOWER HEAD IS NOT LESS THAN 208.3 CM (82 IN.) NOR MORE THAN 243.8 CM (96 IN.) FROM SURFACE ON WHICH USER STANDS.
 - SHOWER SPRAY PATTERN SHALL HAVE A MINIMUM DIAMETER OF 50.8 CM (20 IN.) AT 152.4 CM (60 IN.) ABOVE SURFACE ON WHICH USER STANDS, AND CENTER OF SPRAY PATTERN SHALL BE LOCATED AT LEAST 40.6 CM (16 IN.) FROM ANY OBSTRUCTION.
3. FOLLOWING THESE DIMENSIONS WILL AUTOMATICALLY PROVIDE ADHERENCE TO ANSI REQUIREMENTS STATED ABOVE.
4. DO NOT USE REGULAR PIPE SEALANT. IF NECESSARY USE DOW CORNING 832 SEALANT PLACING 5 SMALL BEADS ON THE MALE THREADS, JUST ABOVE THE FIRST THREAD.

		Haws Corporation	
EQ# NO.:	78858788	MODEL(S):	8122 DRENCH SHOWER
DATE:	5/19/91	INFO FAX DOC #:	281224
APPROVER:		INSTALLATION/FABRICATION:	
EQ# NO.:	0020801	14.D	
DATE:	09416A00	14	
SIZE:	A	SHEET:	1 OF 2

1455 KLEPPE LANE
SPARKS, NEVADA 89431
(775) 359-4712 FAX (775) 359-7424
E-MAIL: HAWS@HAWS.CO.COM
WEBSITE: WWW.HAWS.CO.COM