



### **Haws hånddusj, modell 8905 Axion**

Best. nr: 8905

Anslutning: DN 15 – ½" RG

Vannmengde: 14 l/min.

3,6 meter spiralslange

Spylemunnstykker i kjemikaliebestandig ABS-plast.

AXION msr – unikt patentert spylebilde

Automatisk trykk- og mengderegulering.

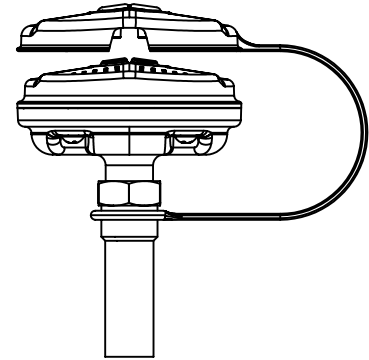
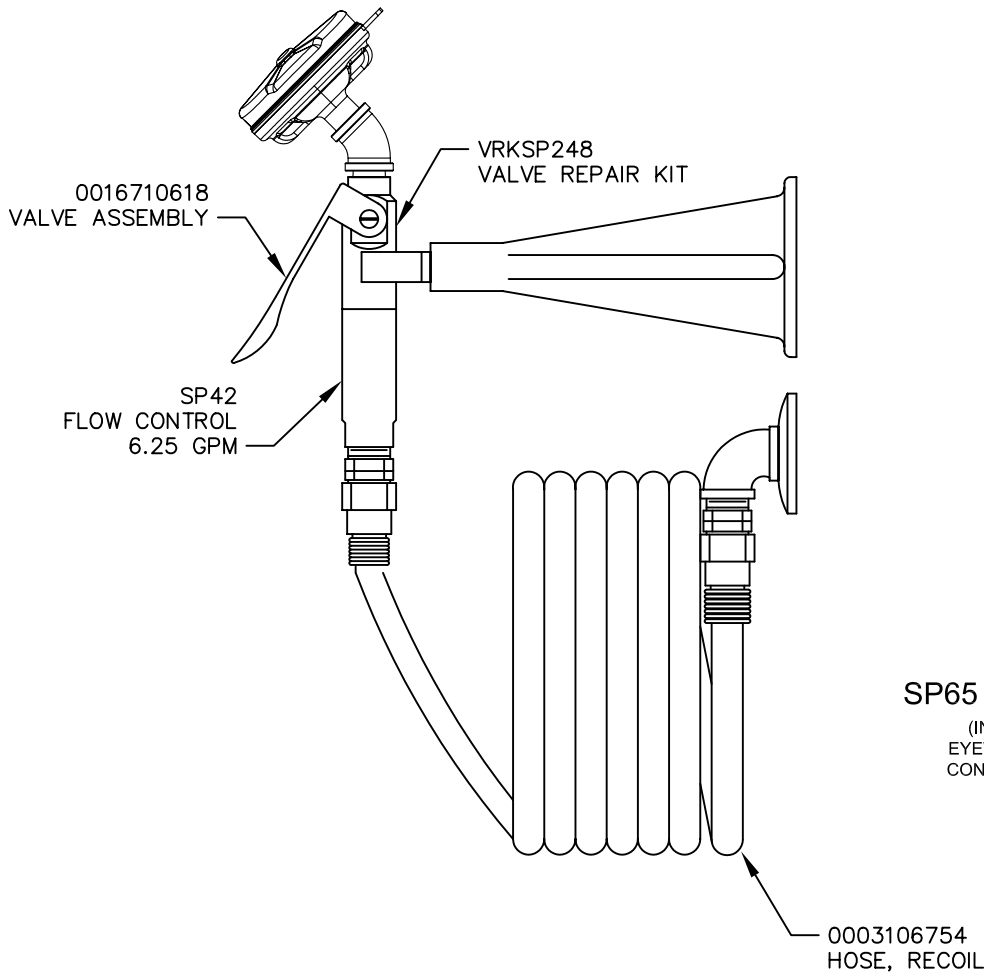
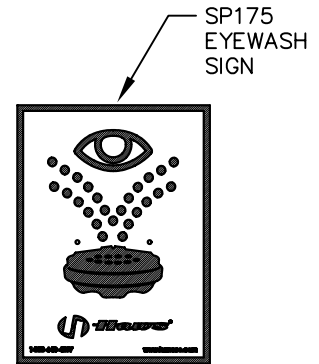
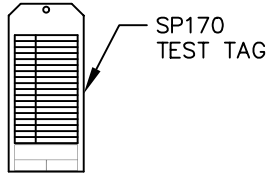
Leveres med veggbrakett



*Vi anbefaler bruk av temperert vann til øye/ansiktsdusj,*

*Sikkerhetsblander: Modell MixSafe V3*

# PARTS BREAKDOWN



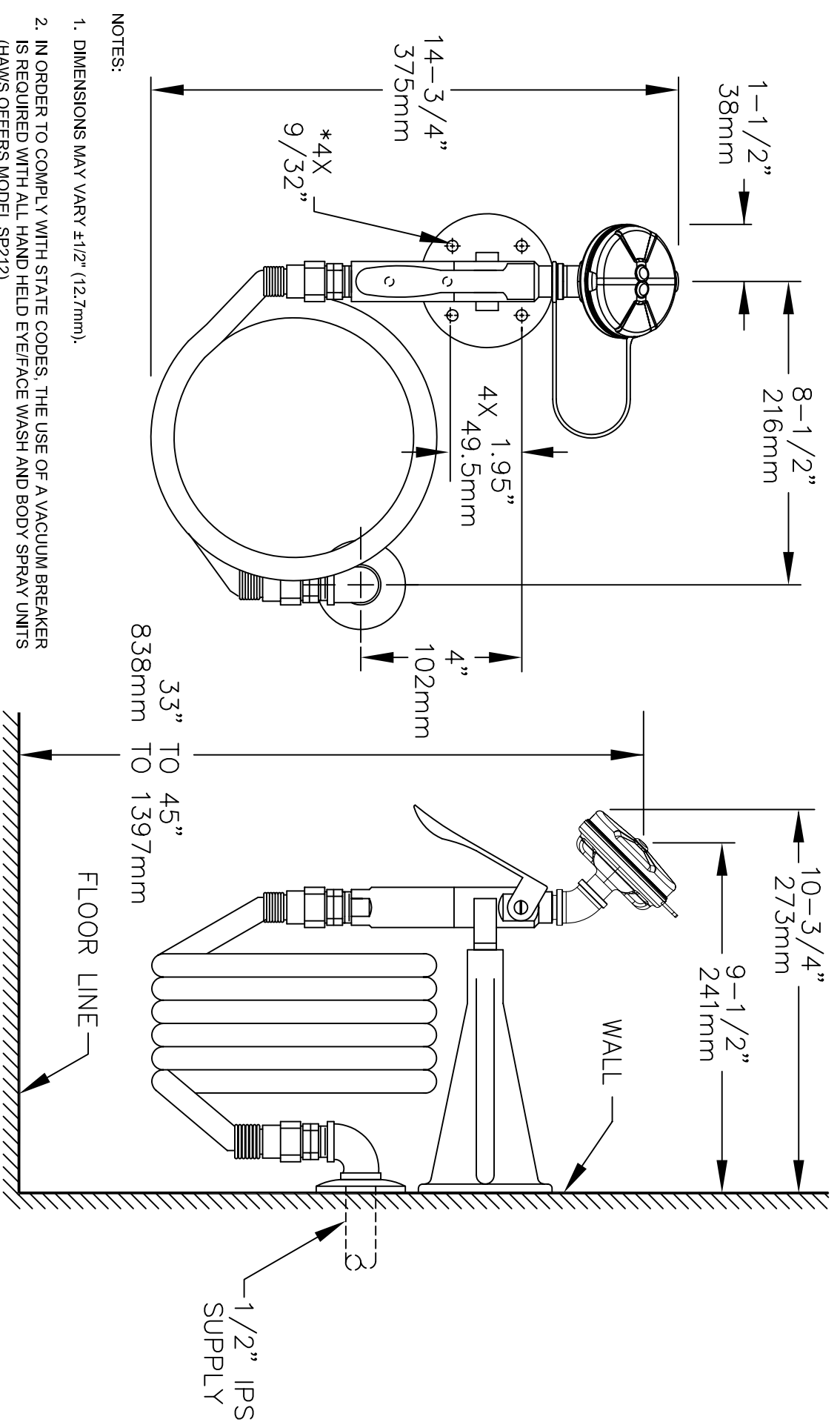
**SP65 EYE/FACE WASH ASSEMBLY**  
 (INCLUDES: EYEFACE WASH HEAD (SHOWN)  
 EYEWASH HEAD (NOT SHOWN), EYEWASH FLOW  
 CONTROL (NOT SHOWN), DUST COVER (SHOWN),  
 ADAPTER (SHOWN, NOT USED))

**WHEN ORDERING  
 PARTS PLEASE  
 SPECIFY YOUR  
 MODEL NUMBER**



1455 KLEPPE LANE  
 SPARKS, NEVADA 89431  
 (775) 359-4712 FAX (775) 359-7424  
 E-MAIL: HAWS@HAWS.CO.COM  
 WEBSITE: WWW.HAWS.CO.COM

DRAWN BY: CH	DATE: 08/04/95	CHECK BY:	APPRD BY:	SCALE: 1/2
TITLE: 8905 WALL MTD EYE/FACE WASH			PART NUMBER: 0002080210	
DRAWING TYPE: PARTS BREAKDOWN			DRAWING NUMBER: 12085C00	REV: 9



**NOTES:**

1. DIMENSIONS MAY VARY ±1/2" (12.7mm).
2. IN ORDER TO COMPLY WITH STATE CODES, THE USE OF A VACUUM BREAKER IS REQUIRED WITH ALL HAND HELD EYE/FACE WASH AND BODY SPRAY UNITS (HAWS OFFERS MODEL SP212).
3. TO COMPLY WITH ANSI Z358.1-2009 FOR EMERGENCY EYEWASH OR EYE/FACE WASH EQUIPMENT:
  - UNIT SHALL BE INSTALLED IN ACCORDANCE WITH MANUFACTURER'S INSTRUCTIONS AND ACCEPTABLE PLUMBING PRACTICES.
  - EYEWASH OR EYE/FACE WASH SHALL BE POSITIONED WITH NOZZLES NOT LESS THEN 83.8 CM (33 IN.) AND NO GREATER THAN 114.3 CM (45 IN.) FROM SURFACE ON WHICH USER STANDS AND 15.3 CM (6 IN.) MINIMUM FROM WALL OR NEAREST OBSTRUCTION.
- \*4. MOUNTING HARDWARE SUPPLIED BY OTHERS.

**Haws Corporation**

1455 KLEPPE LANE  
SPARKS, NEVADA 89431  
(775) 359-4712 FAX (775) 359-7424  
E-MAIL: HAWS@HAWS.CO.COM  
WEBSITE: WWW.HAWS.CO.COM

EQ# NO.:	789597	REV.:	MODEL(S):	8905 WALL MTD EYE/FACE WASH	QTY:	0020802
DATE:	08/95	DATE:	NO.:	8905	SIZE:	1 1/2"
APPROVER:	CH	DATE:	NO.:	8905	SIZE:	1 1/2"
DATE:	08/95	DATE:	NO.:	8905	SIZE:	1 1/2"

12086A00 9