



### Haws hånddusj for benk, modell 8904 Axion

Best. nr: 8904

Anslutning: DN 15 – ½" RG

Vannmengde: 14 l/min.

2.4 m armert PVC slange

Spylemunnstykker i kjemikaliebestandig ABS-plast.

AXION msr – unikt patentert spylebilde

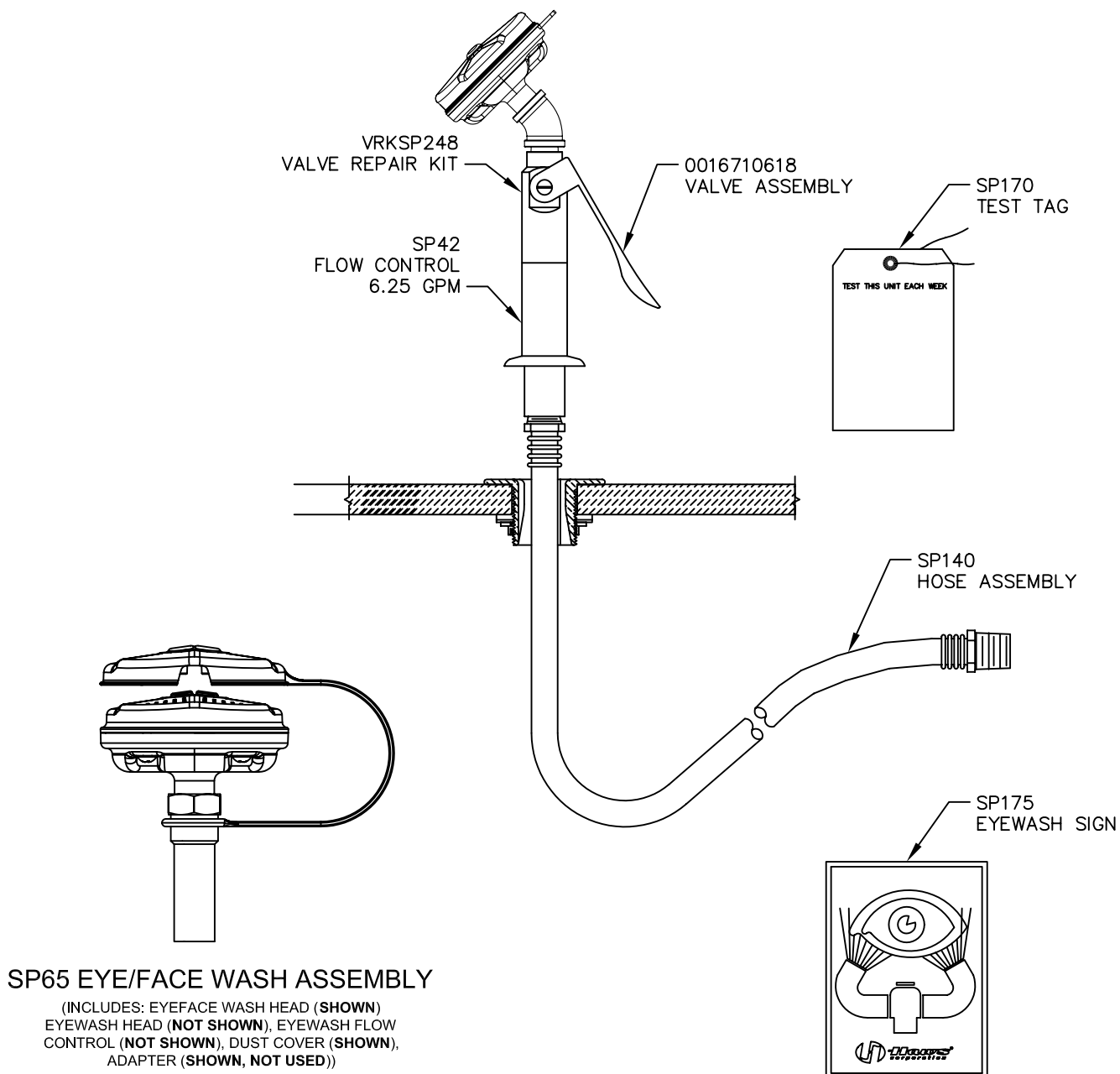
Automatisk trykk- og mengderegulering

*Vi anbefaler bruk av temperert vann til øye/ansiktsdusj,*

*Sikkerhetsblander: Modell MixSafe V3*



# PARTS BREAKDOWN



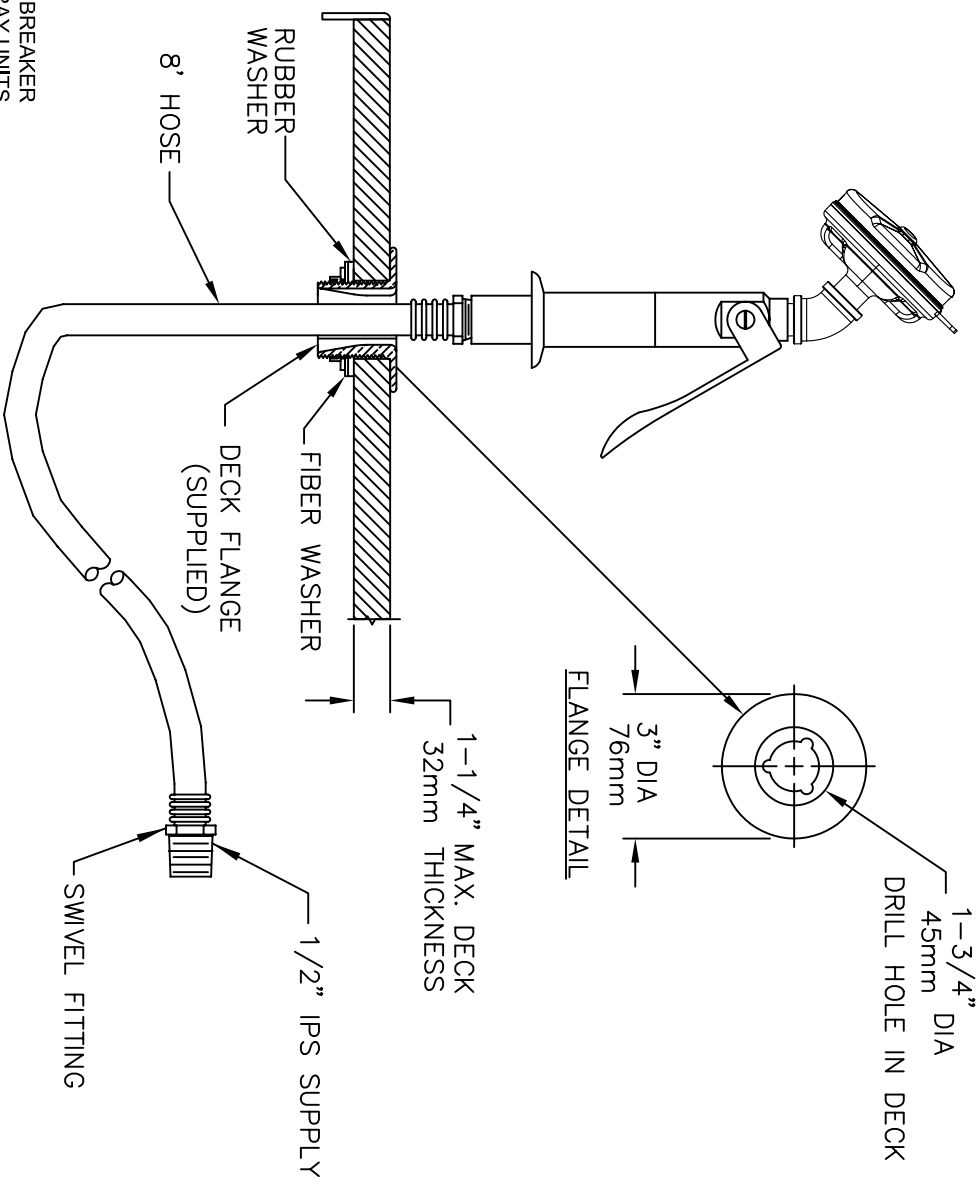
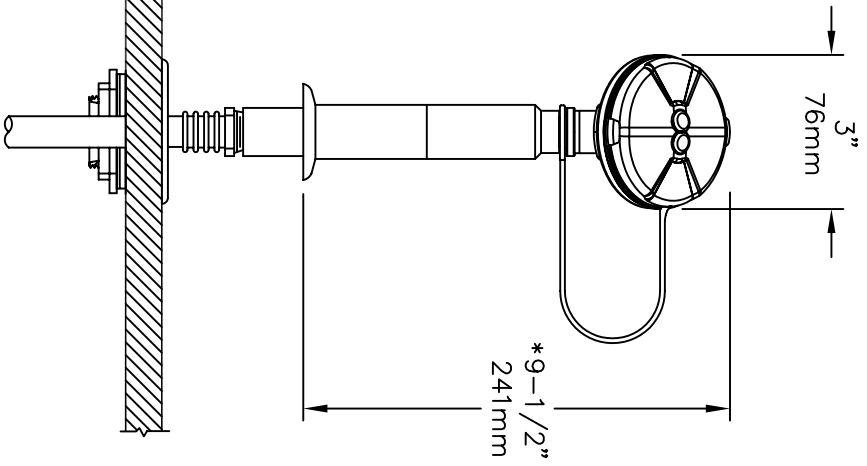
REV	DESCRIPTION	ECN	DATE	BY/APVD
11	UPDATED PER ECN	4367	12/3/09	IR
REVISIONS				

**WHEN ORDERING PARTS PLEASE SPECIFY YOUR MODEL NUMBER**



1455 KLEPPE LANE  
 SPARKS, NEVADA 89431  
 (775) 359-4712 FAX (775) 359-7424  
 E-MAIL: HAWS@HAWS.CO.COM  
 WEBSITE: WWW.HAWS.CO.COM

DRAWN BY: CH	DATE: 08/28/93	CHECK BY:	APPVD BY:	SCALE: 1/2
TITLE: 8904 EYE/FACE WASH BODY SPRAY			PART NUMBER: 0002080198	
DRAWING TYPE: PARTS BREAKDOWN			DRAWING NUMBER: 11602C00	REV: 11



NOTES:

- \*1. DIMENSIONS MAY VARY ±1/2" (12.7mm).
- 2. IN ORDER TO COMPLY WITH STATE CODES, THE USE OF A VACUUM BREAKER IS REQUIRED WITH ALL HAND HELD EYE/FACE WASH AND BODY SPRAY UNITS (HAWS OFFERS MODEL SP212).

- 3. TO COMPLY WITH ANSI Z358.1-2009 FOR EMERGENCY EYEWASH OR EYE/FACE WASH AND SHOWER EQUIPMENT:

- UNIT SHALL BE INSTALLED IN ACCORDANCE WITH MANUFACTURER'S INSTRUCTIONS AND ACCEPTABLE PLUMBING PRACTICES.
- EYEWASH OR EYE/FACE WASH SHALL BE POSITIONED WITH NOZZLES NOT LESS THAN 83.8 CM (33 IN.) AND NO GREATER THAN 114.3 CM (45 IN.) FROM SURFACE ON WHICH USER STANDS AND 15.3 CM (6 IN.) MINIMUM FROM WALL OR NEAREST OBSTRUCTION.



1455 KLEPPE LANE  
 SPARKS, NEVADA 89431  
 (775) 359-4712 FAX (775) 359-7424  
 E-MAIL: HAWS@HAWS.CO.COM  
 WEBSITE: WWW.HAWS.CO.COM

EQ# NO.:	78859789	REV:	MODEL(S):	8904 EYE/FACE WASH BODY SPRAY
DATE:	4/26/07	HR:	INFO FAX DOC #:	28904
CH:	9826983	DATE:	SCALE:	AS SHOWN
APPROVER:		DATE:	GRAND TYPE:	INSTALLATION/BACK
DATE:		DATE:		
SIZE:	A	SHEET:	1	OF 1
DATE:	06/20/06	REV:	080198 D	
DATE:	10/8/99	REV:	A00	
DATE:		REV:	11	