



### **Haws hånddusj, modell 8901 Axion**

Best. nr: 8901

Anslutning: DN 15 – ½" RG

Vannmengde: 14 l/min.

2.4 m armert PVC slange

Spylemunnstykke i kjemikaliebestandig ABS-plast.

AXION msr – unikt patentert spylebilde

Automatisk trykk- og mengderegulering.

Leveres med veggfeste

(kan også leveres med stolpefeste for nøddusjsøyle. Modellen heter da 8901RFK)

*Vi anbefaler bruk av temperert vann til øye/ansiktsdusj,*

*Sikkerhetsblander: Modell MixSafe V3*

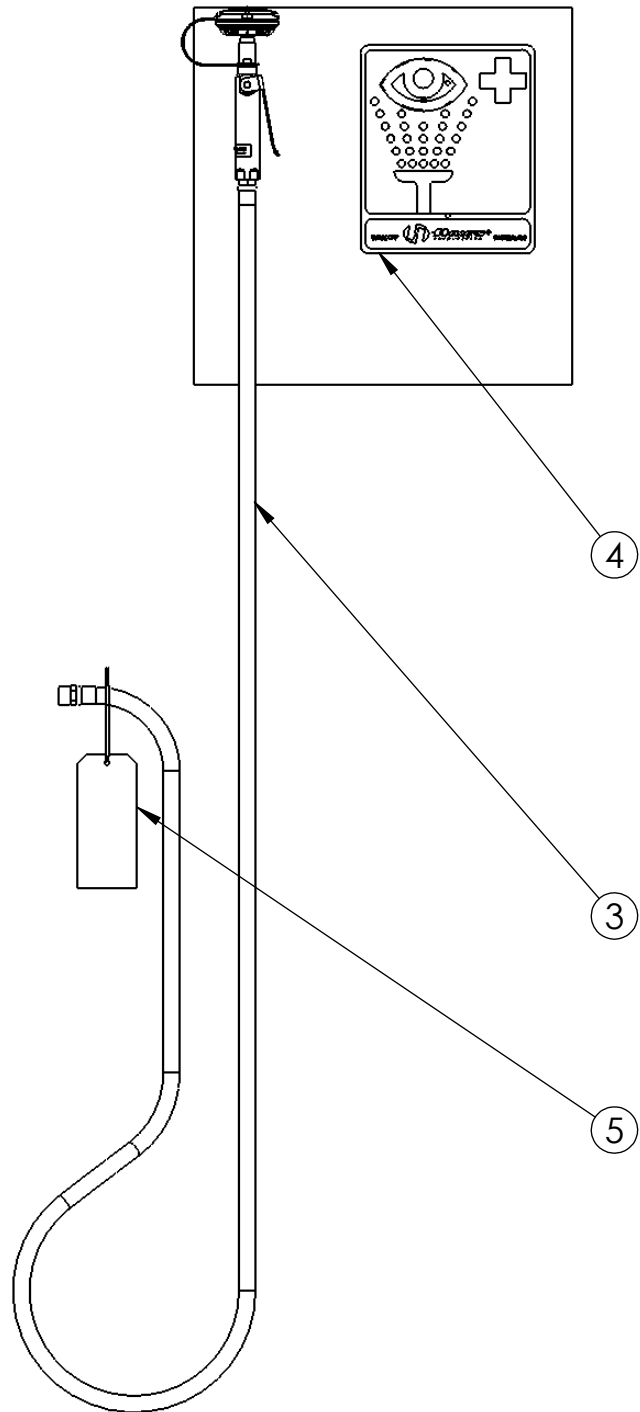
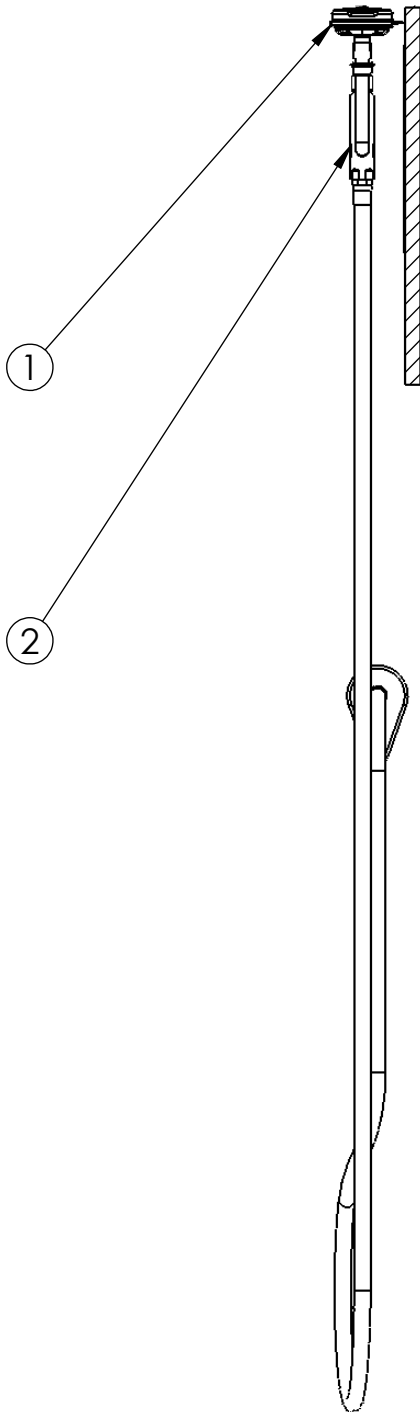



THIS DOCUMENT AND THE DATA DISCLOSED HEREIN OR HEREWITH IS NOT TO BE REPRODUCED, USED, OR DISCLOSED IN WHOLE OR IN PART TO ANYONE WITHOUT THE PERMISSION OF HAWS CORPORATION.

REVISIONS					
ZONE	REV	DESCRIPTION	ECN	DATE	BY

# PARTS BREAKDOWN

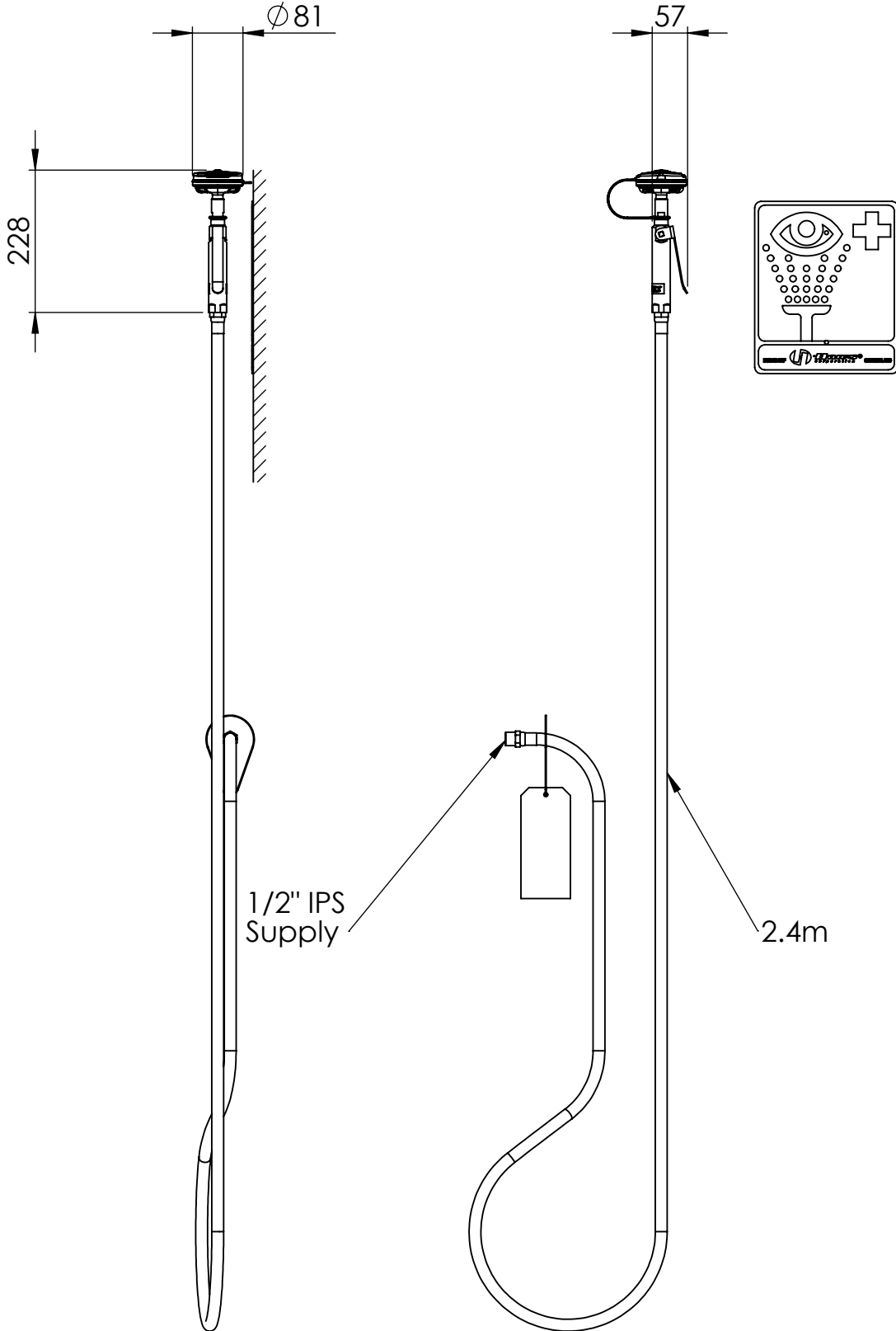
ITEM	DESCRIPTION
1	SP65 Axion Eye/Face Wash Head
2	SP247 Valve
3	SP140 Hose Assembly
4	SP175 Eye Wash Sign
5	SP170 Test Tag




PARTS BREAKDOWN		ECN NO.			
<b>WHEN ORDERING PARTS PLEASE SPECIFY YOUR MODEL NUMBER</b> MATERIAL		APPROVALS	DATE	1455 KLEPPE LN SPARKS, NV   BACHWEG 3 CH3401 BURGDORF SWITZERLAND   www.hawscs.com 775-359-4712	
		DRAWN	07.01.2011		
		CHECKED			
		Draw-Nr.			
				<b>TITLE</b> 8901 Axion Eye/Face Wash	
				<b>SIZE PART NO.</b> A4 2080194	
				SCALE 1:10	PARTS BREAKDOWN SHEET 1 OF 1

THIS DOCUMENT AND THE DATA DISCLOSED HEREIN OR HEREWITH IS NOT TO BE REPRODUCED, USED, OR DISCLOSED IN WHOLE OR IN PART TO ANYONE WITHOUT THE PERMISSION OF HAWS CORPORATION.

REVISIONS					
ZONE	REV	DESCRIPTION	ECN	DATE	BY



THESE DIMENSIONS MAY VARY +/- 1/2" (12,7mm)

<b>Data Sheet</b>	ECN NO.		 1455 KLEPPE LN SPARKS, NV   BACHWEG 3 CH3401 BURGDORF SWITZERLAND   www.hawsc.com 775-359-4712	
	APPROVALS	DATE		
	DRAWN	07.01.2011	TITLE <b>8901 Axion Eye/Face Wash</b>	
	CHECKED		SIZE   PART NO.   REV. A4   2080194	
	MATERIAL	Draw-Nr.	SCALE 1:10   PARTS BREAKDOWN   SHEET 1 OF 1	