



## Haws portabel nøddusjsøyle, modell 8810 SS

Best. nr: 8810SS

Anslutning: 1" IPS

Total vannmengde: 86 l/min.

Rør i rustfritt stål

Dusjhode og spylemunnstykker i kjemikaliebestandig ABS-plast

Betjeningshendel og drahandtak i rustfritt stål

Monteres av en person på ca 2 minutter

Automatisk trykk- og mengderegulering

Alternativ tilbehør: Oppbevaringsbag i slitesterk nylon, modell 8810BAG

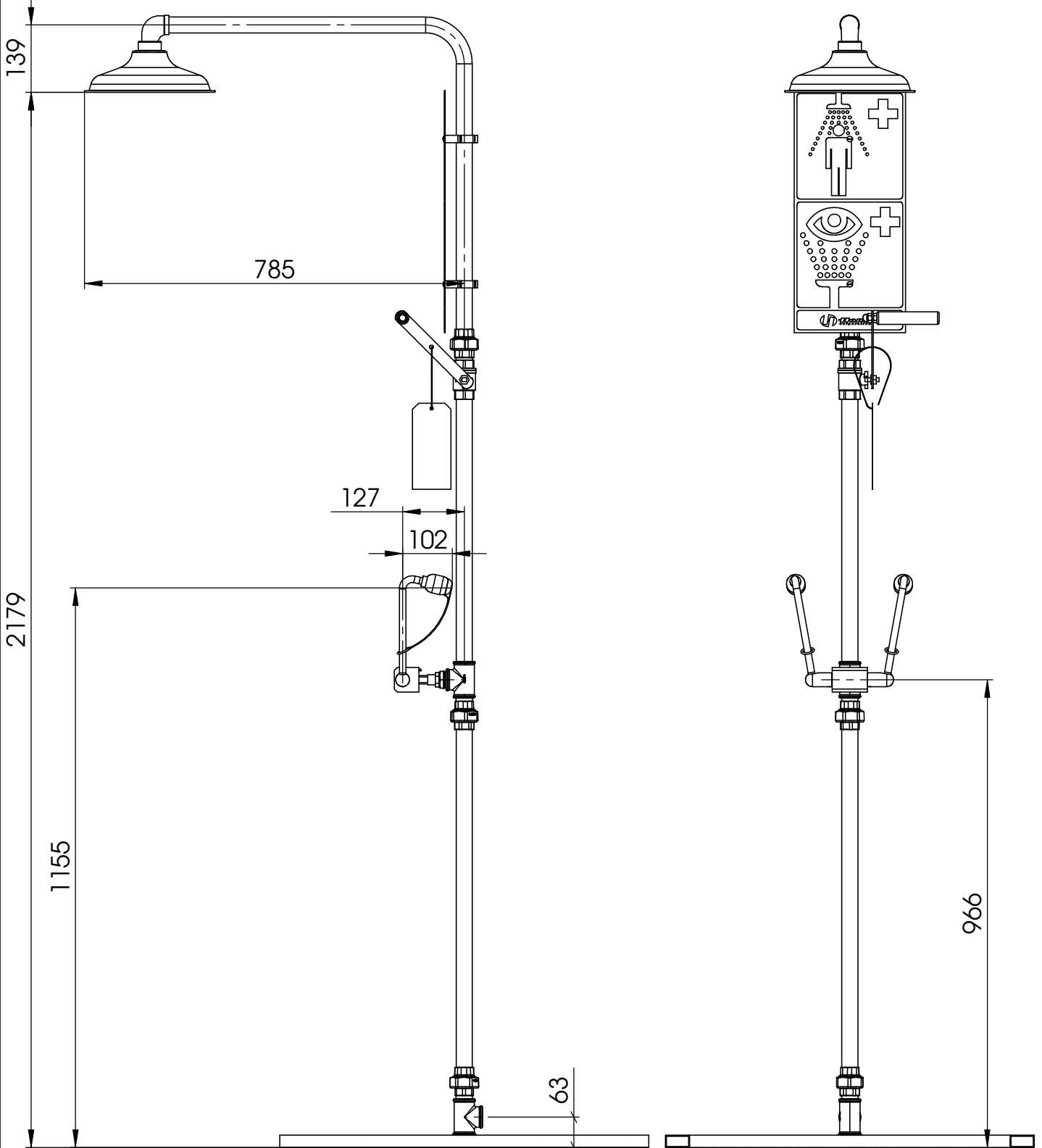
*Vi anbefaler bruk av temperert vann til nøddusjsøyle,*


*Sikkerhetsblander: Modell 9201E*

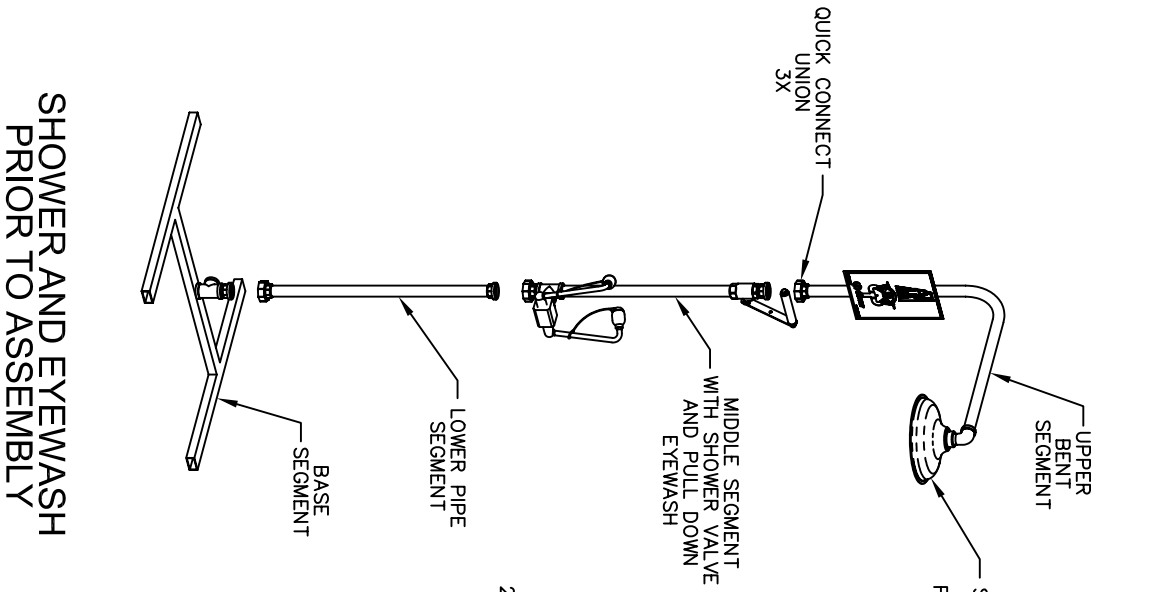


THIS DOCUMENT AND THE DATA DISCLOSED HEREIN OR HEREWITH IS NOT TO BE REPRODUCED, USED, OR DISCLOSED IN WHOLE OR IN PART TO ANYONE WITHOUT THE PERMISSION OF HAWS CORPORATION.

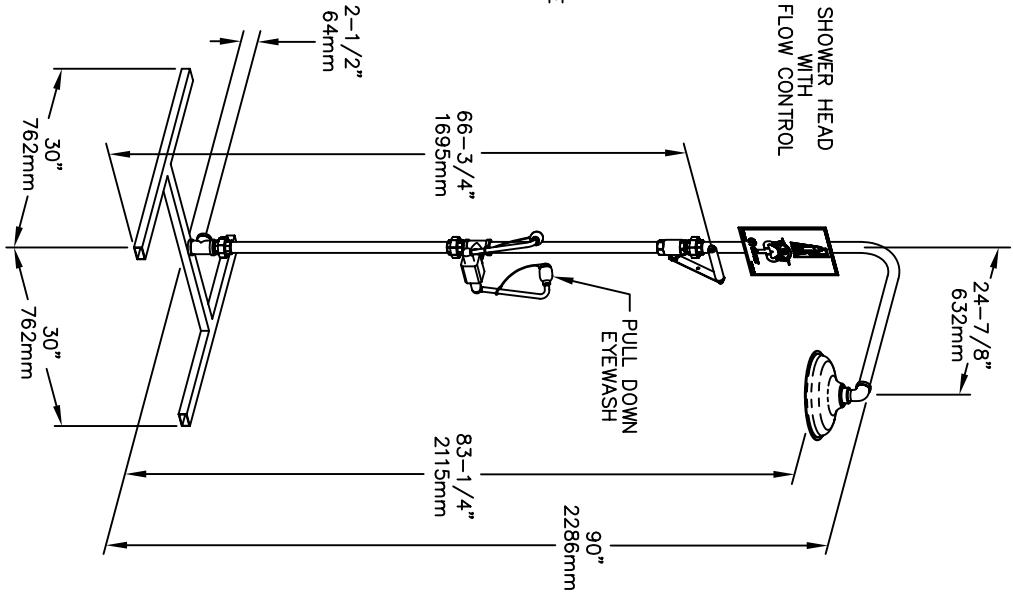
REVISIONS					
ZONE	REV	DESCRIPTION	ECN	DATE	BY



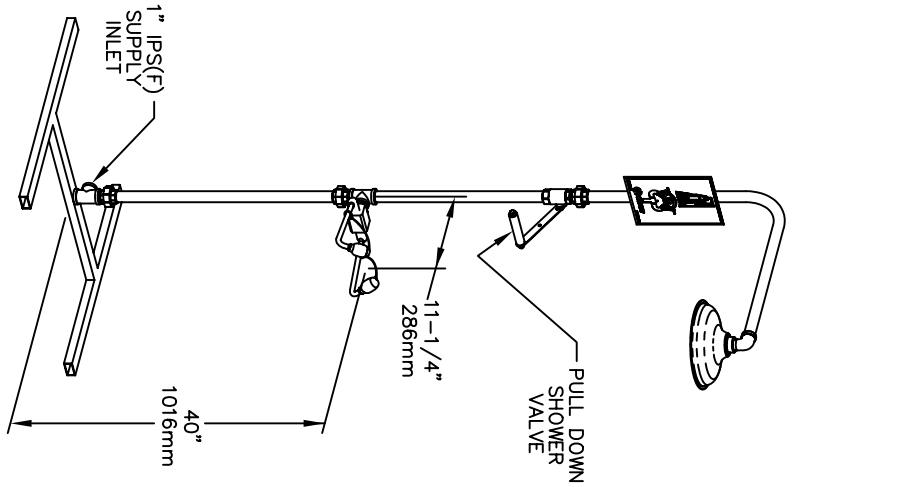
<b>Data Sheet</b>	ECN NO.		 1455 KLEPPE LN SPARKS, NV    BACHWEG 3 CH3401 BURGENDORF SWITZERLAND    www.hawscor.com 775-359-4712		
	APPROVALS	DATE			
	DRAWN	02.09.2008	TITLE	8810SS	
	Jeannine Ruf	CHECKED	8810SSK		
MATERIAL	Draw-Nr.	SIZE	PART NO.	REV.	
		A4	8810SSK		
		SCALE 1:11	PARTS BREAKDOWN	SHEET 1 OF 1	



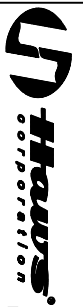
SHOWER AND EYEWASH PRIOR TO ASSEMBLY



ASSEMBLED WITH SHOWER AND EYEWASH IN THE CLOSED POSITION



ASSEMBLED WITH SHOWER AND EYEWASH IN THE OPEN POSITION



INFO FAX : 1-888-FAX-HAWS (1-888-329-4297)

1455 Kleppe Ln, Sparks NV, 89431  
 Phone: 775-359-4712 Fax: 775-359-7424  
 Haws Ag Boechweg 3 CH-3401 Burgdorf Switzerland and  
 Haws Mfg Pte Ltd 74 Sungei Kadut Loop Singapore 729531  
 e-mail: Haws@hawsco.com website: www.hawsco.com

FORM NO.	REVISED PER BR.	MODEL(S)	PART NUMBER
ECON. 3500	HAW	8810SS PORTABLE SHOWER/EYEWASH	0002080219.D
DATE	CHK'D BY	INFO FAX DOC #	DRAWING NUMBER
10/1/06/02		2881077	15138A00
APPROVED	DATE	SCALE: 1:18	SHEET 1 OF 1