



Haws nøddusjsøyle, modell 8335 Axion

Best. nr: 8335 AX

NRF-nr: 4503519

Anslutning: DN 32 – 1 ¼" RG

Total vannmengde: 91 l/min.

Avløp: DN 32 – 1 ¼" RG

Rør/rørdele, gulvfeste, skål, betjeningshendel og drahandtak i rustfritt stål

Dusjhode og spylemunnstykker i kjemikaliebestandig ABS-plast

Axion spylemunnstykke og dusjhode

Automatisk trykk- og mengderegulering

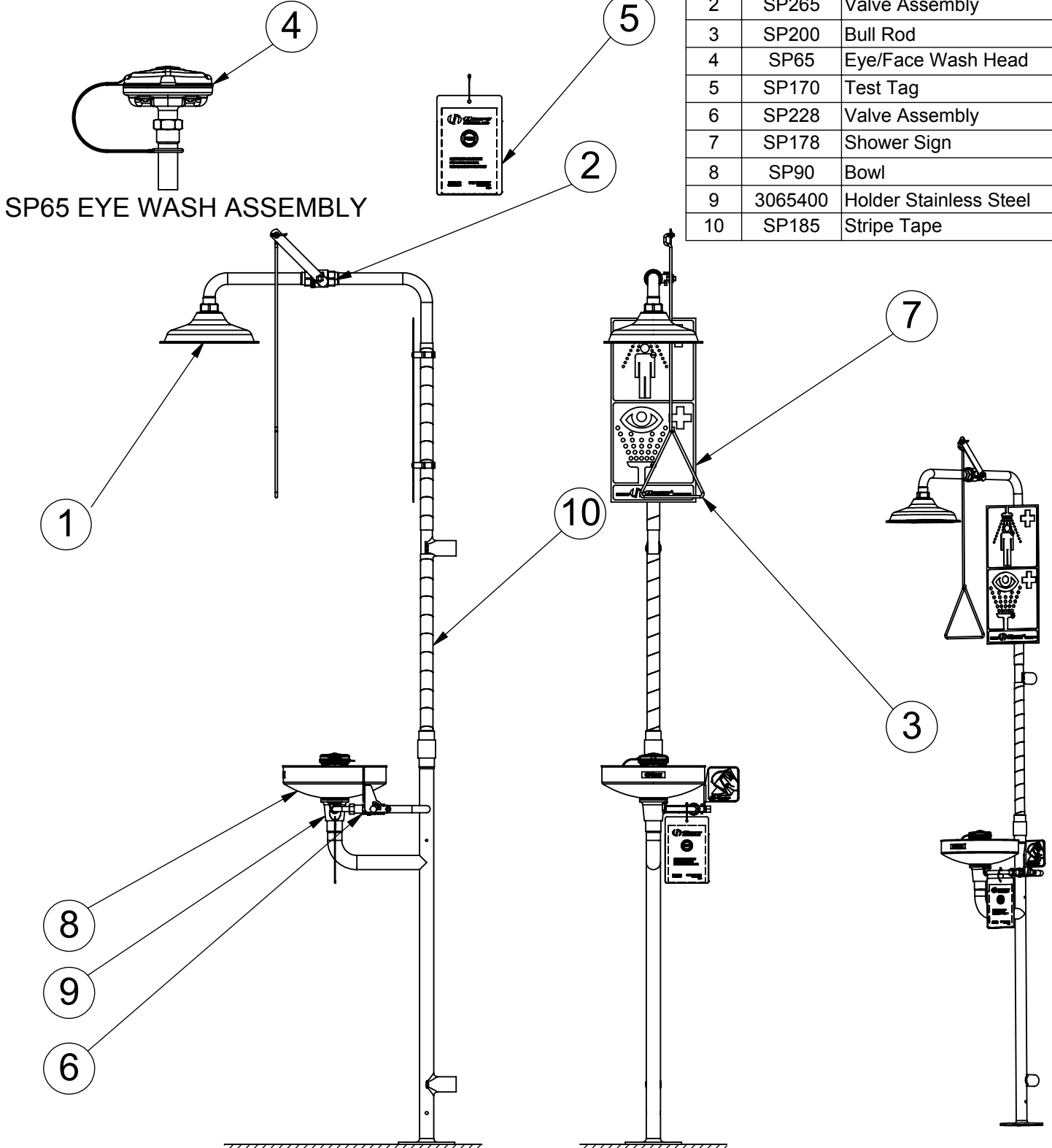
Vi anbefaler bruk av temperert vann til nøddusjsøyle,

Sikkerhetsblander: Modell 9201E



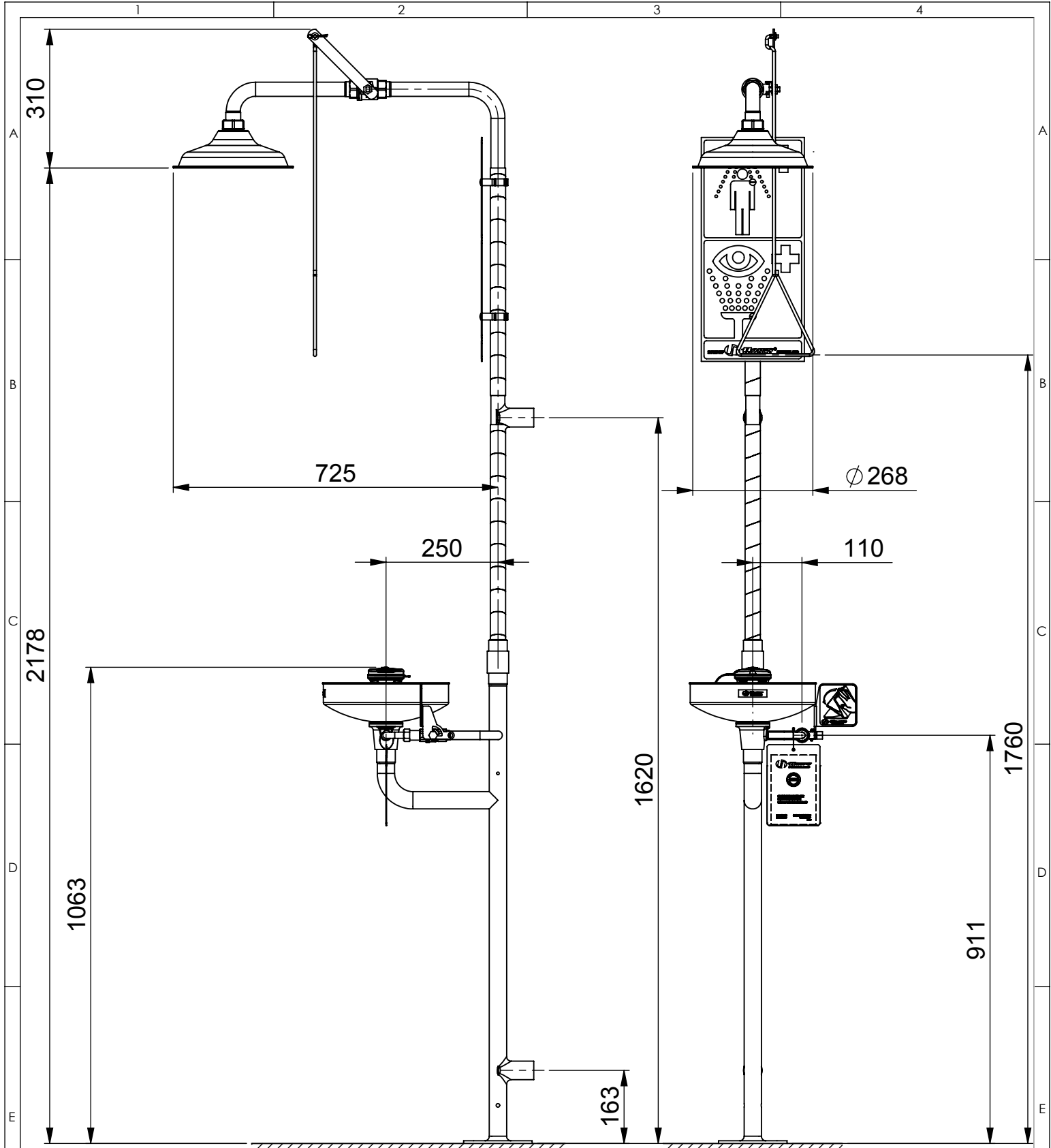
PARTS BREAKDOWN

ITEM	PART NU.	DESCRIPTION
1	SP829	Shower Head
2	SP265	Valve Assembly
3	SP200	Bull Rod
4	SP65	Eye/Face Wash Head
5	SP170	Test Tag
6	SP228	Valve Assembly
7	SP178	Shower Sign
8	SP90	Bowl
9	3065400	Holder Stainless Steel
10	SP185	Stripe Tape



PARTS BREAKDOWN			
WHEN ORDERING PARTS PLEASE SPECIFY YOUR MODEL NUMBER		BACHWEG 3 CH3401 BURG DORF SWITZERLAND	
		T +41 (0)34 420 60 00 F +41 (0)34 420 60 01	
APPROVALS		DATE	
DRAWN Jeannine Ruf		15.07.2010	
CHECKED Jeannine Ruf		15.07.2010	
REVISED Jeannine Ruf		03.12.2010	
DRAW-NO.		MATERIAL	
ECN NO.		TITLE 8335 Axion Combination Shower & Eye/Face Wash	
THIS DOCUMENT AND THE DATA DISCLOSED HEREIN OR HEREWITH IS NOT TO BE REPRODUCED, USED, OR DISCLOSED IN WHOLE OR IN PART TO ANYONE WITHOUT THE PERMISSION OF HAWS CORPORATION.		SIZE PART NO. A4 2080218/1	
SCALE 1:15		REV. SHEET 1 OF 1	

ZONE	REV	DESCRIPTION	ECN	DATE	BY
REVISIONS					



DATA SHEET



T +41 (0)34 420 60 00 CH3401 BURG DORF SWITZERLAND www.haws.ch
 F +41 (0)34 420 60 01 info@haws.ch

TITLE
 8335 Axion
 Combination Shower & Eye/Face Wash

APPROVALS	DATE
DRAWN Jeannine Ruf	15.07.2010
CHECKED Jeannine Ruf	15.07.2010
REVISED Jeannine Ruf	06.12.2010
DRAW-NO.	
ECN NO.	

MATERIAL

SIZE PART NO.
 A4 2080218/1 **REV.**

ZONE	REV	DESCRIPTION	ECN	DATE	BY
REVISIONS					

THIS DOCUMENT AND THE DATA DISCLOSED HEREIN OR HEREWITH IS NOT TO BE REPRODUCED, USED, OR DISCLOSED IN WHOLE OR IN PART TO ANYONE WITHOUT THE PERMISSION OF HAWS CORPORATION.

SCALE 1:11.5 SHEET 1 OF 1