



### **Haws nøddusjsøyle, modell 8330 Axion**

Best. nr: 8330

Anslutning: DN 32 – 1 ¼" RG

Total vannmengde: 91 l/min.

Avløp: DN 32 – 1 ¼" RG

Rør/rørdele, gulvfeste, skål, dusjhode, spylemunnstykke, betjeningshendel og drahåndtak i rustfritt stål

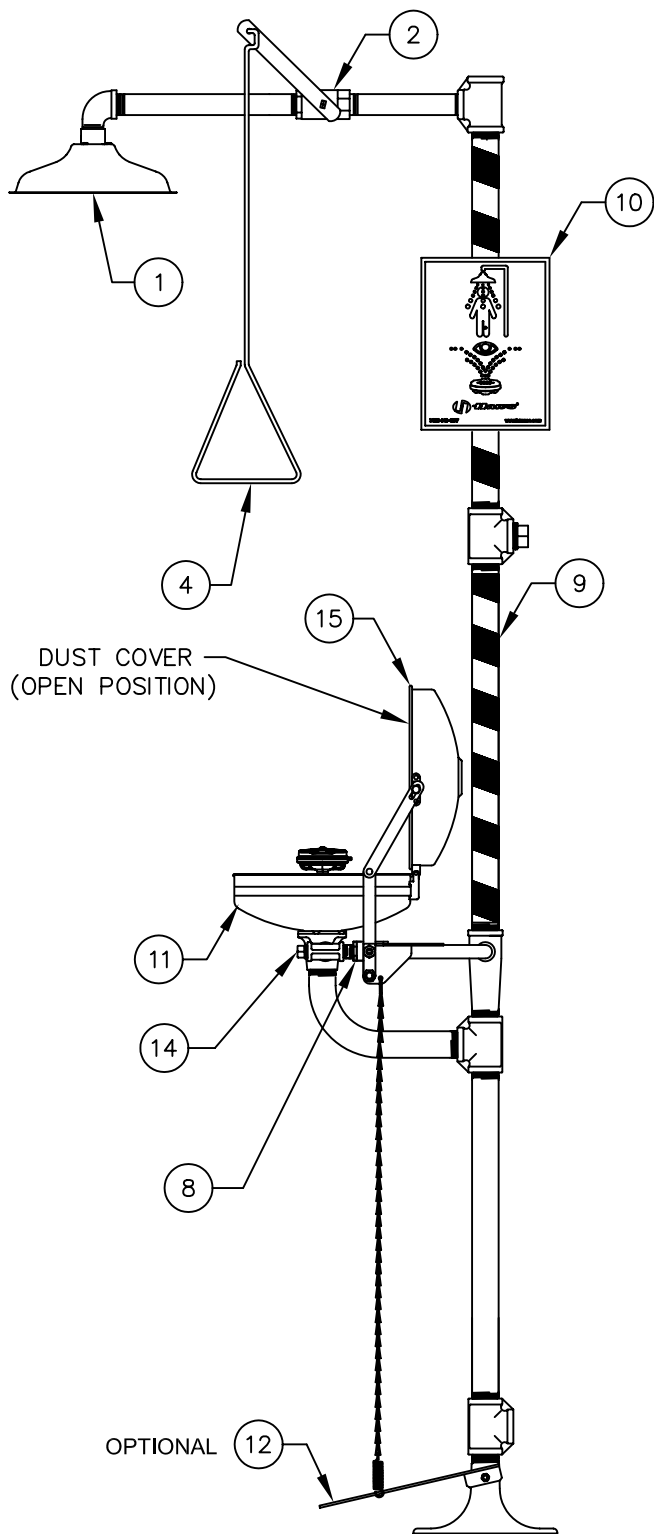
Axion spylemunnstykke og dusjhode

Automatisk trykk- og mengderegulering

*Vi anbefaler bruk av temperert vann til nøddusjsøyle,  
Sikkerhetsblander: Modell 9201E*

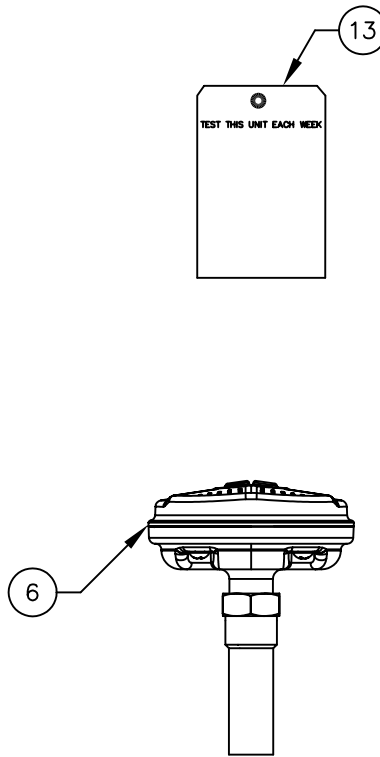


# PARTS BREAKDOWN



OPTIONAL

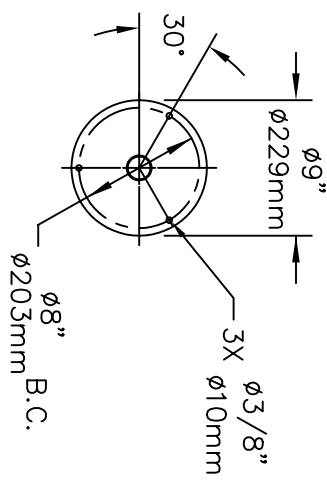
ITEM	DESCRIPTION
1	SP829SS SHOWER HEAD
2	SP265 VALVE ASSEMBLY
3	-
4	SP200 PULL ROD
5	DELETED
6	SP65SS EYE/FACE WASH HEAD
7	DELETED
8	SP228 VALVE ASSEMBLY
9	SP185 STRIPE TAPE
10	SP178 SHOWER SIGN
11	SP90 BOWL
12	SP220SS FOOT TREADLE
13	SP170 TEST TAG
14	SP509SS L-STRAINER
15	9102 DUST COVER ASSEMBLY
16	DELETED



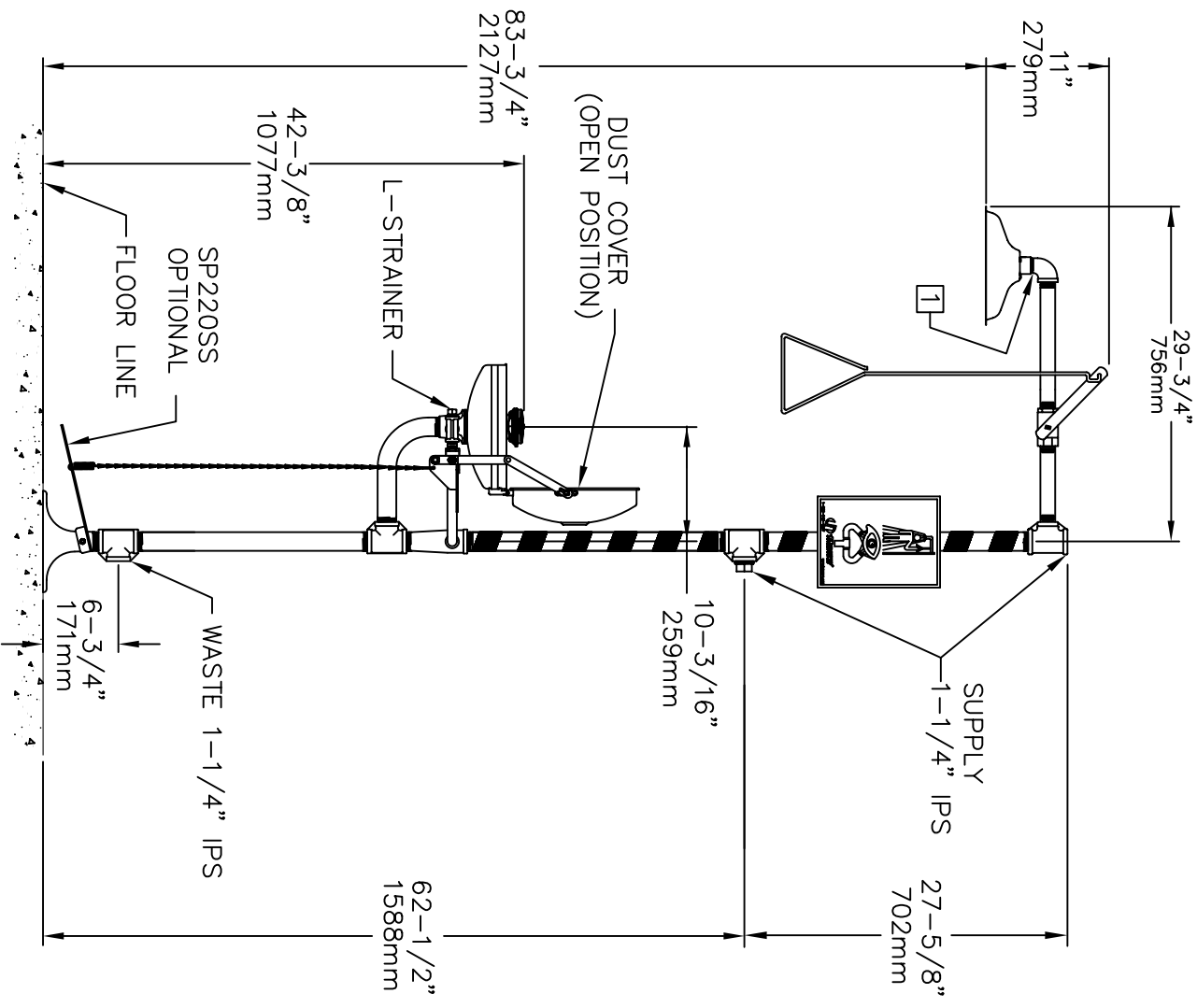
SP65SS EYE/FACE WASH ASSEMBLY

		1455 KLEPPE LANE SPARKS, NEVADA 89431 (775) 359-4712 FAX (775) 359-7424 E-MAIL: HAWS@HAWS.CO.COM WEBSITE: WWW.HAWS.CO.COM	
		ECN NO: REVISED PER BY: MODEL(S) ECN: 4351 IR 8330	PART NUMBER: 0002080174
DRAWN: C.J.L. DATE: 05/91 APPROVED: DATE:	SS SHOWER EYE/FACE WASH SCALE: 1/6 DRAWING TYPE: PARTS BREAKDOWN	DRAWING NO.: 11499C00 REV. 21	SIZE: A SHEET 1 OF 1

**WHEN ORDERING PARTS PLEASE SPECIFY YOUR MODEL NUMBER**



# MOUNTING DETAIL



**NOTES:**

- DIMENSIONS MAY VARY BY ± 1/2 INCH (13mm).
- TO COMPLY WITH ANSI Z358.1-2009 FOR EMERGENCY EYEWASH OR EYEFACE WASH AND SHOWER EQUIPMENT:
  - UNIT SHALL BE INSTALLED IN ACCORDANCE WITH MANUFACTURER'S INSTRUCTIONS AND ACCEPTABLE PLUMBING PRACTICES.
  - EYEWASH OR EYEFACE WASH SHALL BE POSITIONED WITH NOZZLES NOT LESS THAN 83.8 CM (33 IN.) AND NO GREATER THAN 114.3 CM (45 IN.) FROM SURFACE ON WHICH USER STANDS AND 15.3 CM (6 IN.) MINIMUM FROM WALL OR NEAREST OBSTRUCTION.
  - SHOWER SHALL BE POSITIONED SO THAT SHOWER HEAD IS NOT LESS THAN 208.3 CM (82 IN.) NOR MORE THAN 243.8 CM (96 IN.) FROM SURFACE ON WHICH USER STANDS.
  - SHOWER SPRAY PATTERN SHALL HAVE A MINIMUM DIAMETER OF 50.8 CM (20 IN.) AT 152.4 CM (60 IN.) ABOVE SURFACE ON WHICH USER STANDS, AND CENTER OF SPRAY PATTERN SHALL BE LOCATED AT LEAST 40.8 CM (16 IN.) FROM ANY OBSTRUCTION.
- DO NOT USE REGULAR PIPE SEALANT. IF NECESSARY USE DOW CORNING 832 SEALANT PLACING 5 SMALL BEADS ON THE MALE THREADS, JUST ABOVE THE FIRST THREAD.

		<b>Haws</b>	
1455 KLEPPE LANE SPARKS, NEVADA 89431 (775) 359-4712 FAX (775) 359-7424 EMAIL: HAWS@HAWS.CO.COM WEBSITE: WWW.HAWS.CO.COM		MODEL(S) 8330 SS SHOWER EYEFACE WASH	
EON NO. REVISED PER BY	EON. 4331 JR	DRAWING NO.	0002080174.D
DRAWING DATE	03/31	CHKD.	REV
APPROVED DATE		SCALE: 1/16	DRAWING TYPE: INSTALLATION
PART NUMBER: 0002080174.D		SIZE: A	SHEET 1 OF 1
DRAWING NO.: 09468A00			
REV: 21			