



## Haws frostsikker nøddusj, modell 8111 FP Axion

Best. nr: 8111FP

Anslutning: DN 25 – 1" RG

Vannmengde: 77 l/min.

Nøddusjen er frostsikker ved drenering via selvføll. Ansluttes "frostsikkert" på innsiden av vegg.

Leveres med: kuleventil med vegg-gjennomføring og aktiveringsplate, rørdeler, støttetag, dusjhode og nøddusjskilt.

1" rør inngår ikke.

Dusjhode i kjemikaliebestandig ABS-plast. Aktiveringsplate i rustfritt stål.

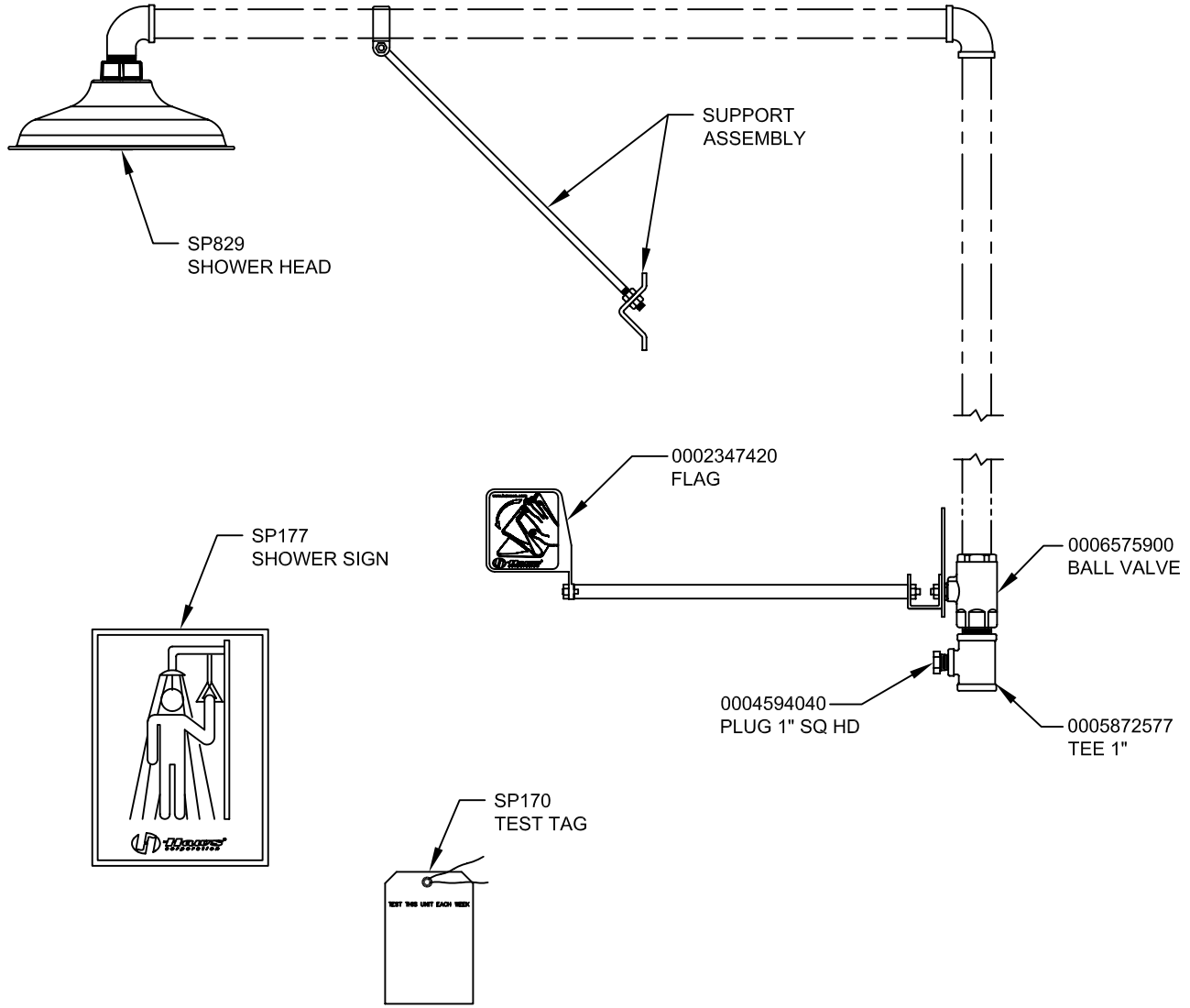
Automatisk trykk- og mengderegulering

*Vi anbefaler bruk av temperert vann til kroppsduj,*

*Sikkerhetsblander: Modell 9201E*




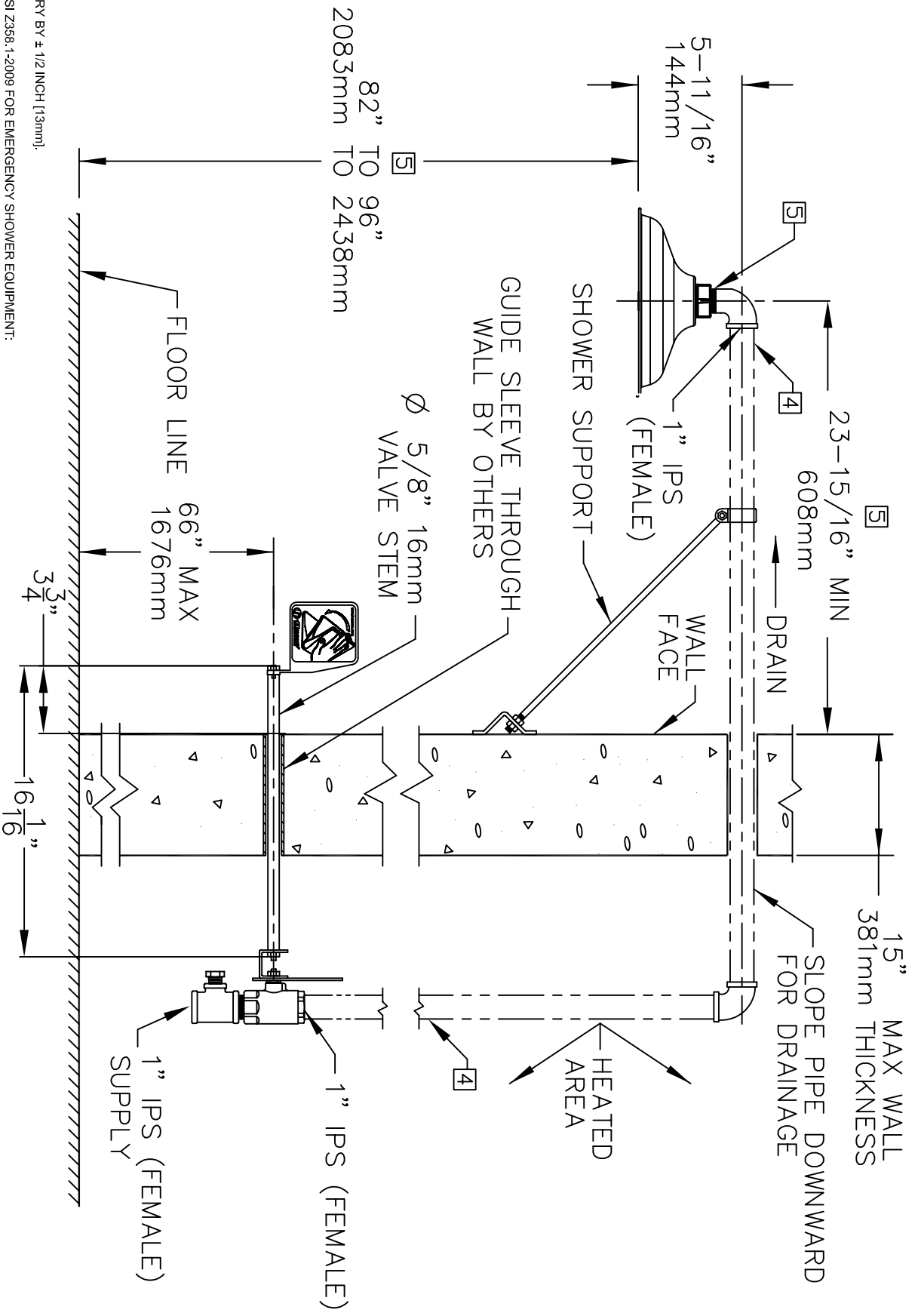
# PARTS BREAKDOWN



REV	DESCRIPTION	ECN	DATE	BY/APVD
12	UPDATED PER ECN.	4367	12/2/09	IR
REVISIONS				

**WHEN ORDERING PARTS PLEASE SPECIFY YOUR MODEL NUMBER**

		1455 KLEPPE LANE SPARKS, NEVADA 89431 (775) 359-4712 FAX (775) 359-7424 E-MAIL: HAWS@HAWS.CO.COM WEBSITE: WWW.HAWS.CO.COM			
		DRAWN BY: CLF	DATE: 03/08/93	CHECK BY:	APPVD BY:
TITLE: 8111FP DRENCH SHOWER			PART NUMBER: 0002080111		
DRAWING TYPE: PARTS BREAKDOWN			DRAWING NUMBER: 11472C00	REV: 12	



NOTES:

1. DIMENSIONS MAY VARY BY ± 1/2 INCH (13mm).
2. TO COMPLY WITH ANSI Z358.1-2009 FOR EMERGENCY SHOWER EQUIPMENT:
  - UNIT SHALL BE INSTALLED IN ACCORDANCE WITH MANUFACTURER'S INSTRUCTIONS AND ACCEPTABLE PLUMBING PRACTICES.
  - SHOWER SHALL BE POSITIONED SO THAT SHOWER HEAD IS NOT LESS THAN 208.3 CM (82 IN.) NOR MORE THAN 243.8 CM (96 IN.) FROM SURFACE ON WHICH USER STANDS.
  - SHOWER SPRAY PATTERN SHALL HAVE A MINIMUM DIAMETER OF 50.8 CM (20 IN.) AT 152.4 CM (60 IN.) ABOVE SURFACE ON WHICH USER STANDS, AND CENTER OF SPRAY PATTERN SHALL BE LOCATED AT LEAST 40.6 CM (16 IN.) FROM ANY OBSTRUCTION.

3. FOLLOWING THESE DIMENSIONS WILL AUTOMATICALLY PROVIDE ADHERENCE TO ANSI REQUIREMENTS STATED ABOVE.
4. 1" IPS GALVANIZED PIPE NOT SUPPLIED.
5. DO NOT USE REGULAR PIPE SEALANT. IF NECESSARY USE DOW CORNING 832 SEALANT PLACING 5 SMALL BEADS ON THE MALE THREADS, JUST ABOVE THE FIRST THREAD.

**Haws Corporation**

1455 KLEPPE LANE  
SPARKS, NEVADA 89431  
(775) 359-4712 FAX (775) 359-7424  
E-MAIL: HAWVS@HAWVSCO.COM  
WEBSITE: WWW.HAWVSCO.COM

EQUIP. NO.	TENDER NO.	REV.	DATE
EQN. 4367	HR	CHRC	05/23/91
TRF	DATE	SCALE	SI
09/23/91	DATE	SCALE	SI
MODELS: WALL MOUNTED FREEZE RESISTANT		DRAWING TYPE: INSTALLATION/DRAWACK	
8111FP DRENCH SHOWER		INFO FAX DOC #: 2811137	
PART NUMBER: 0002080111.D		REV: 112	
DRAWING NUMBER: 09438A00		SHEET: 1 OF 1	