



Haws øyedusj, modell 7611 Axion

Best. nr: 7611

Anslutning: DN 15 – ½" RG

Vannmengde: 14 l/min.

Rør forkrommet messing.

AXION msr – unikt patentert spylebilde

Automatisk trykk- og mengderegulering.

Monteres på høyre side av vask/servant.

Svinges 90° over vask ved bruk.

Aktiveres automatisk når den svinges over vask.

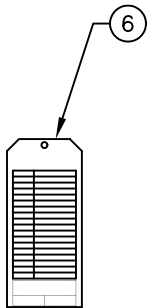
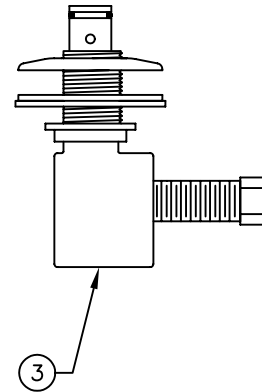
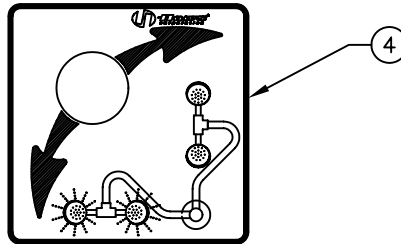
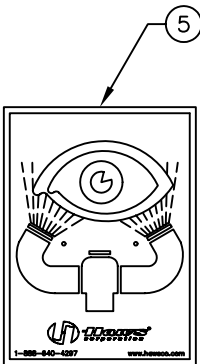
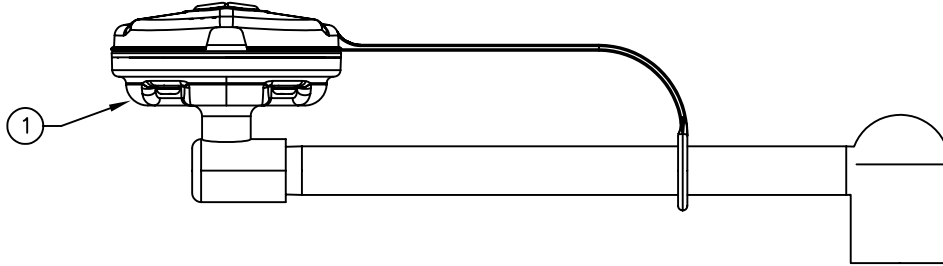
Vi anbefaler bruk av temperert vann til øye/ansiktsdusj,

Sikkerhetsblander: Modell MixSafe V3



ITEM	DESCRIPTION
1	SP65 EYE/FACE WASH ASSY
2	-
3	VALVE ASSEMBLY
4	SWING AWAY SIGN
5	SP175 EYEWASH SIGN
6	SP170 TEST TAG
-	VRK7650 REPAIR KIT

PARTS BREAKDOWN



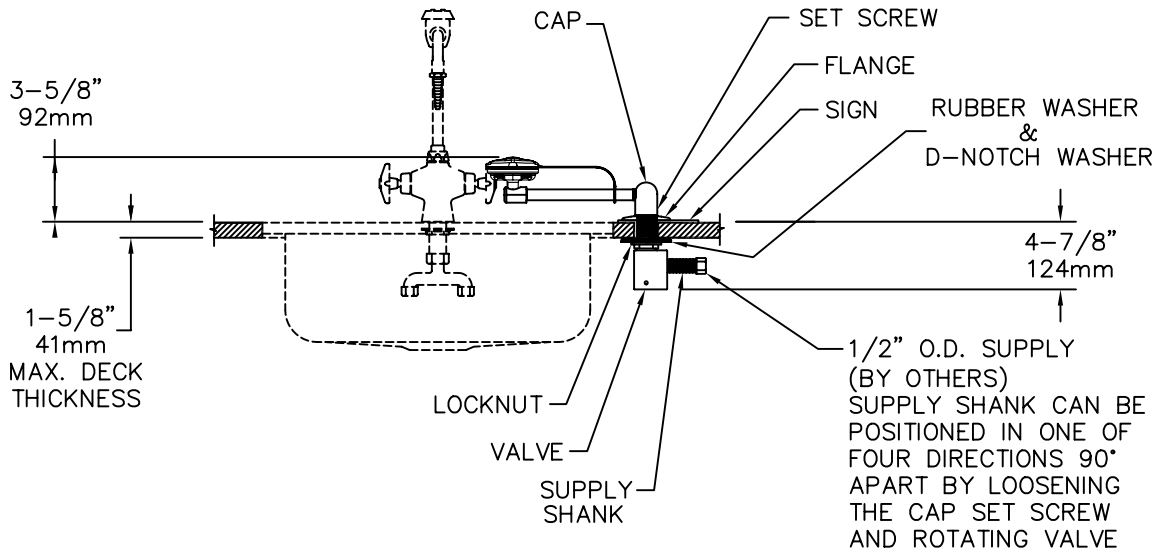
REV	DESCRIPTION	ECN	DATE	BY/APVD
6	UPDATED PER.	4367	12/2/09	IR

WHEN ORDERING PARTS PLEASE SPECIFY YOUR MODEL NUMBER



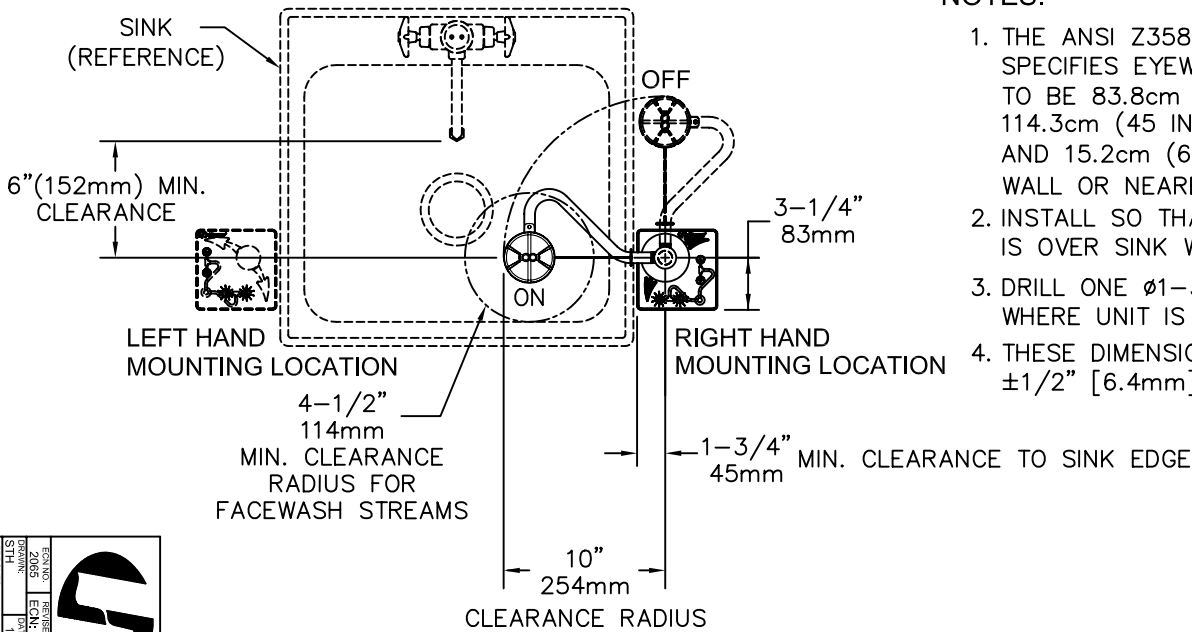
1455 KLEPPE LANE
SPARKS, NEVADA 89431
(775) 359-4712 FAX (775) 359-7424
E-MAIL: HAWS@HAWSO.COM
WEBSITE: WWW.HAWSO.COM

DRAWN BY: STH	DATE: 10/21/96	CHECK BY:	APPVD BY:	SCALE: 1/2
TITLE: 7611			PART NUMBER: 0002080063	
DRAWING TYPE: PARTS BREAKDOWN			DRAWING NUMBER: 12620C00	REV: 6

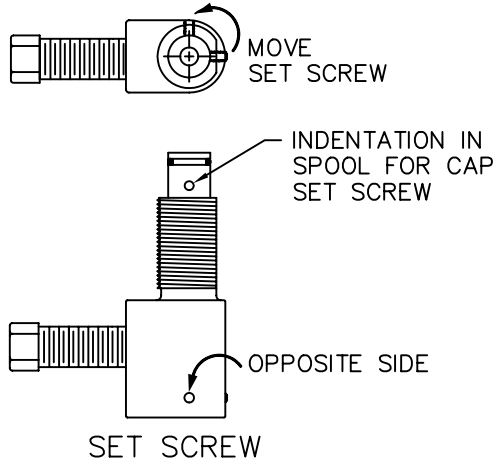


NOTES:

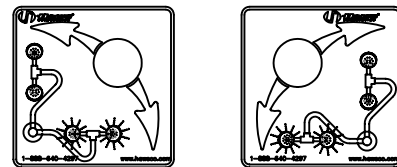
1. THE ANSI Z358.1-2009 STANDARD SPECIFIES EYEWASH NOZZLE HEIGHTS TO BE 83.8cm (33 IN.) TO 114.3cm (45 IN.) ABOVE THE FLOOR AND 15.2cm (6 IN.) MINIMUM FROM WALL OR NEAREST OBSTRUCTION.
2. INSTALL SO THAT EYEWASH HEAD IS OVER SINK WHEN ACTIVATED.
3. DRILL ONE $\phi 1-3/8$ " [35mm] HOLE WHERE UNIT IS TO BE INSTALLED.
4. THESE DIMENSIONS MAY VARY $\pm 1/2$ " [6.4mm].



LEFT HAND APPLICATION



FLIP OVER

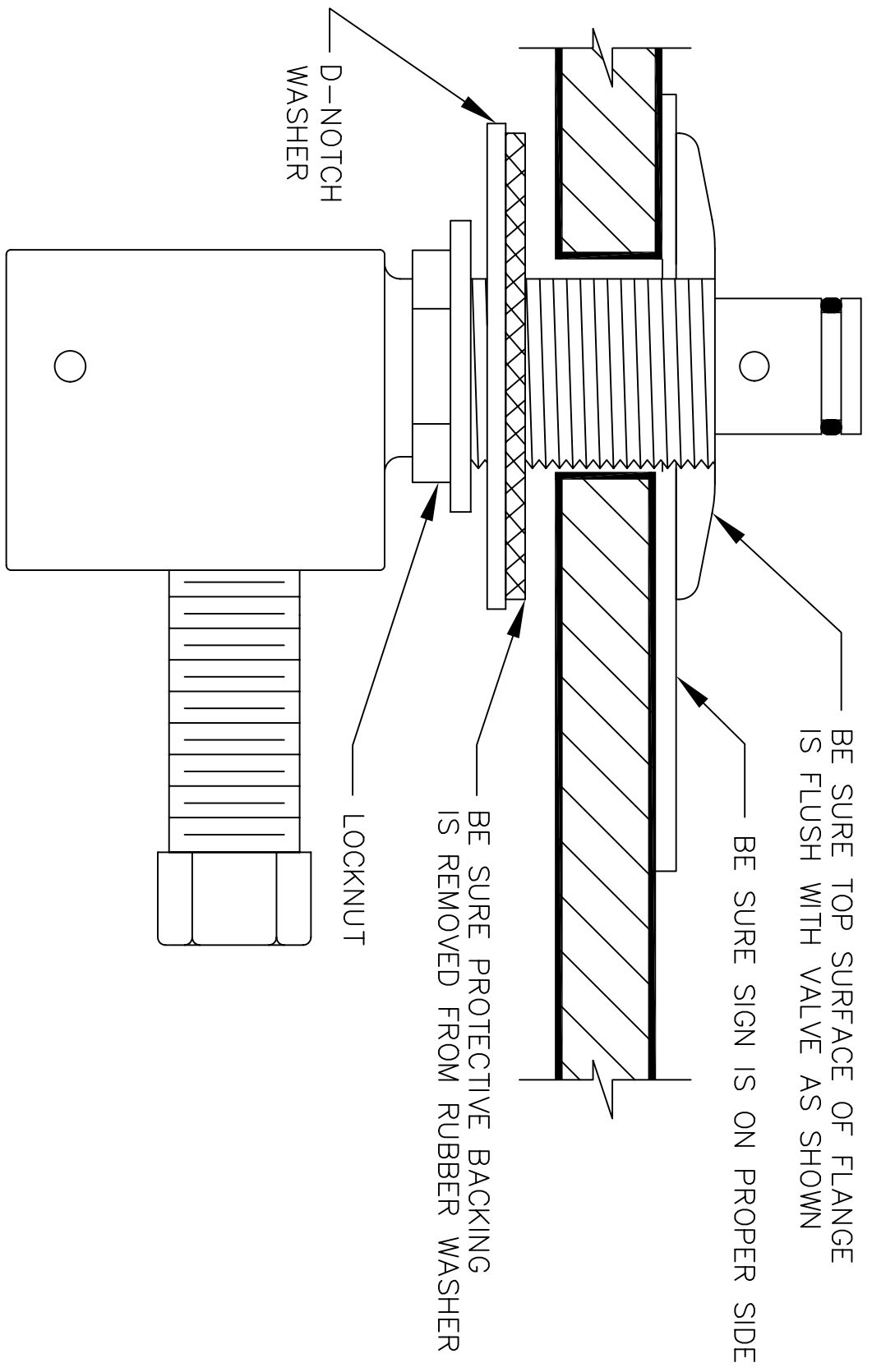


Left Hand

Right Hand

SIGN

Haws Corporation	
MODEL(S): 7611 DECK MTD SWING AWAY EM	1455 KLEPPE LANE SPARKS, NEVADA 89431 (775) 359-4712 FAX (775) 359-7424 E-MAIL: HAWS@HAWSCCO.COM WEBSITE: WWW.HAWSCCO.COM
DATE: 10-98 APPROVER: SLH DRAWING NO: 2065 ECN: 4897 HR DATE: 10-98 INEQ FAX DOC #: 27611 ORGANIZATION: INSTALLATION/PACKAGE	PART NO: 002000063 D QTY: 6 SIZE: A SHEET: 1 OF 2



BE SURE TOP SURFACE OF FLANGE IS FLUSH WITH VALVE AS SHOWN

BE SURE SIGN IS ON PROPER SIDE

BE SURE PROTECTIVE BACKING IS REMOVED FROM RUBBER WASHER

LOCKNUT

D-NOTCH WASHER



1455 KLEPPE LANE
 SPARKS, NEVADA 89431
 (775) 359-4712 FAX (775) 359-7424
 E-MAIL: HAWS@HAWS.CO.COM
 WEBSITE: WWW.HAWS.CO.COM

REVISED DATE	REVISED BY	MODEL(S)	PART NUMBER
10/96	STH	7611 DECK MTD SWING AWAY E/W	0002080063.D
DATE	APPROVED	INFO FAX DOC#	SIZE A
10/96	STH	27611	12621A00
		SCALE: 1/2"	SHEET 2 OF 2
		EXAMINER: STH	DATE: 12/06/00
		INSTALLATION: BACK	