



## Haws portabel øyedusj, modell 7500 EB

Best. nr: 7500EB

Skylletid: minimum 15 min

Vannmengde: 1,5 l/min

Tankstørrelse: 62 liter

Med el. varmevest 220V – 1000W

Doble termostater sikrer vanntemperatur på 24 °C

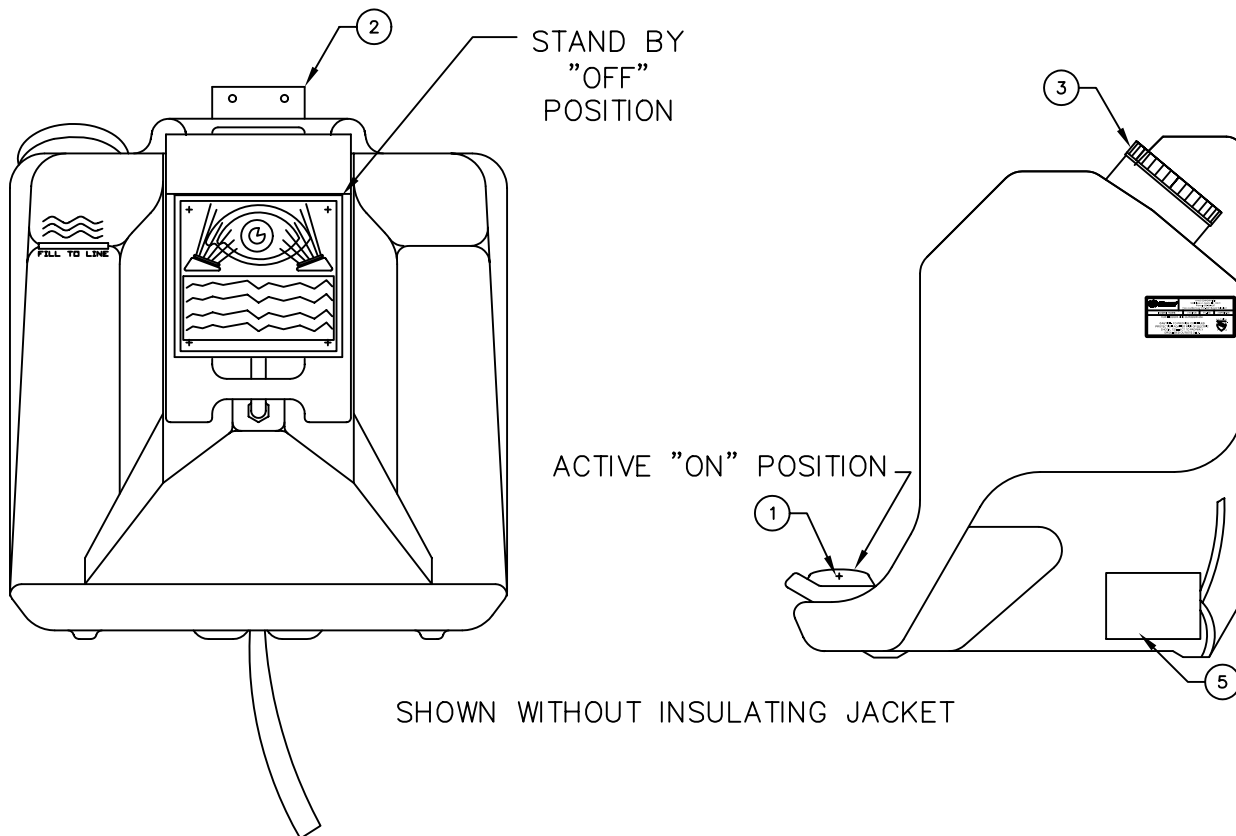
Sikkerhetstermostat med varsellys og manuell reset-knapp forhindrer overoppheting

Med veggfeste og dreneringsslange

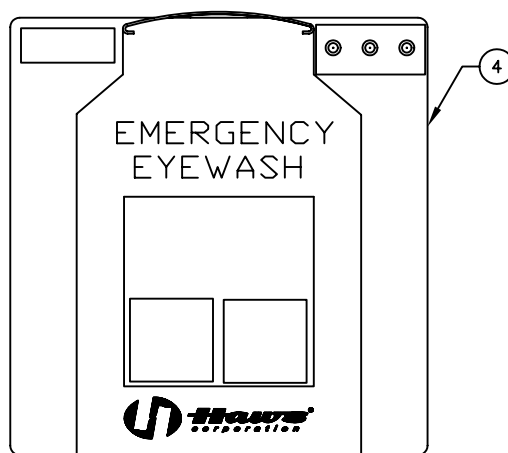
Bakteriehemmende middel Hydrosep 9082 for 6 mnd bruk inngår

ITEM	DESCRIPTION
1	SP19 EYEWASH HEAD ASSY
2	BRACKET P/N 0001217418
3	SP131 CAP ASSEMBLY
4	JACKET 7500EB P/N 0003141415
5	HEATER P/N 0002986400
6	WIRES
6	9082 BACTERIOSTATIC PRESERVATIVE

# PARTS BREAKDOWN



SHOWN WITHOUT INSULATING JACKET



7500EB ASSEMBLED

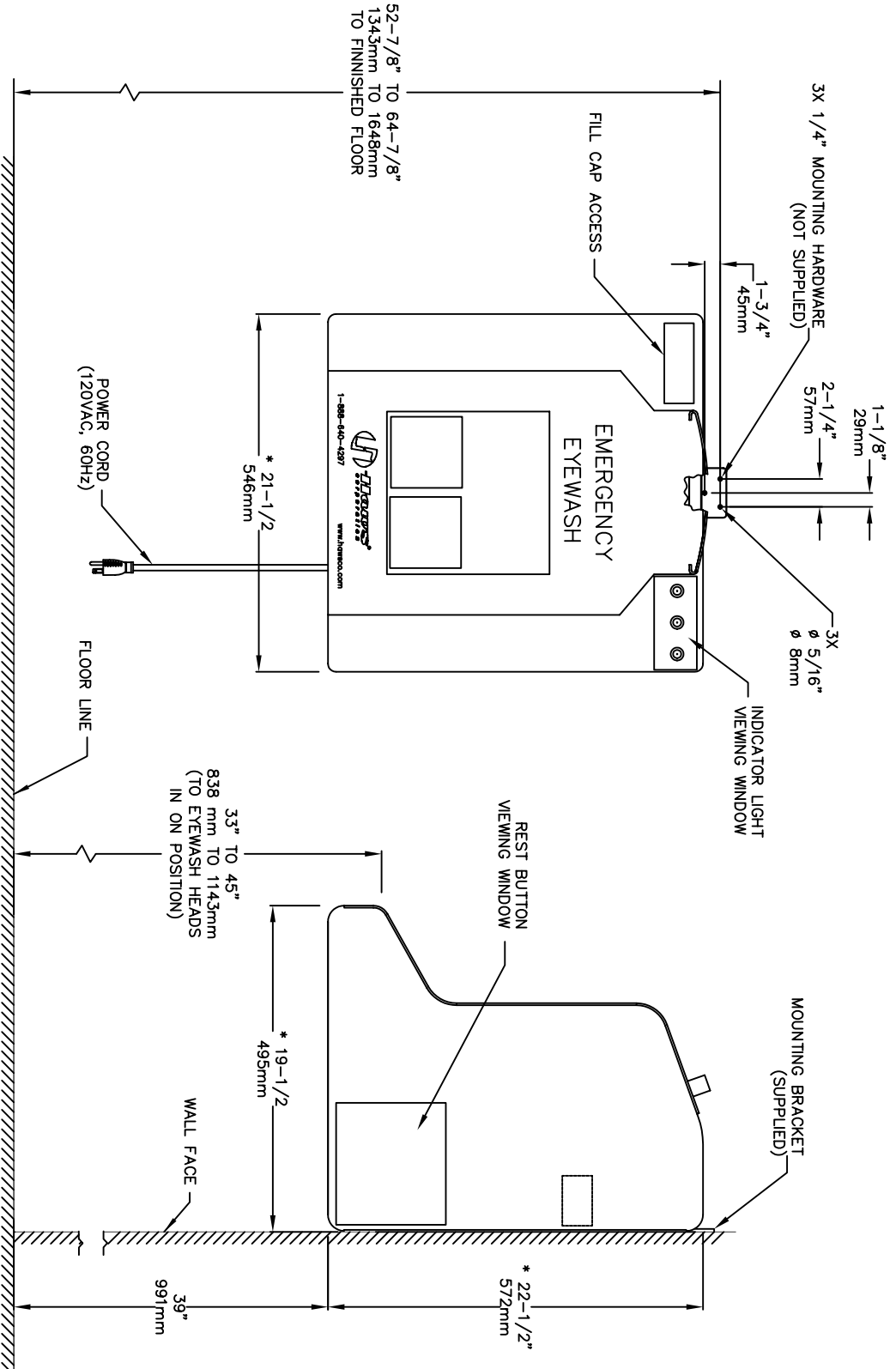
**WHEN ORDERING PARTS PLEASE SPECIFY YOUR MODEL NUMBER**



1455 KLEPPE LANE  
SPARKS, NEVADA 89431  
(775) 359-4712 FAX (775) 359-7424  
E-MAIL: HAWS@HAWSCO.COM  
WEBSITE: WWW.HAWSCO.COM

DRAWN BY: CLF	DATE: 02/24/93	CHECK BY:	APPVD BY:	SCALE: 1/4
TITLE: 7500EB PORTABLE HEATED E/W			PART NUMBER: 0002080059	
DRAWING TYPE: PARTS BREAKDOWN			DRAWING NUMBER: 11455C00	REV: 7

REV	DESCRIPTION	ECN	DATE	BY/APVD
7	UPDATED PER ECN	4344	11/18/09	HM



**NOTES:**

1. UNIT MUST BE LEVEL FRONT TO BACK AND SIDE TO SIDE
2. ALL THREE MOUNTING HOLES ON MOUNTING BRACKET MUST BE USED TO PROPERLY SECURE EYEWASH UNIT TO WALL.
3. PRIOR TO SERVICING/CLEANING: UNPLUG POWER CORD ON UNIT FROM POWER SOURCE AND REMOVE UNIT FROM MOUNTING BRACKET.
4. \* DIMENSIONS MAY VARY  $\pm 1/2"$  (12.7mm)

<b>Haws Corporation</b>		<b>7500EB PORTABLE HEATED EW</b>	
EQN NO. 7500EB	REV. 1	MODEL(S):	7500EB
DATE: 06/06/90	DATE: 06/06/90	LINEO FAX DOC #:	2750032
APPROVER:	DESIGNER:	INSTALLATION/FABRICATION:	
1455 KLEPPE LANE SPARKS, NEVADA 89431 (775) 359-4712 FAX (775) 359-7424 E-MAIL: HAWS@HAWS.CO.COM WEBSITE: WWW.HAWS.CO.COM		ORDER NO. 00200059.D DATE 07/27/00 SIZE A SHEET 1 OF 1	