



### **Haws øye/ansiktsdusj, modell 7460B AXION**

Best. nr: 7460B

NRF-nr: 4503503

Anslutning: DN 15 – ½" RG

Vannmengde: 14 l/min.

Avløp: 32 mm

Skål og betjeningshendel i rustfritt stål

Spylemunnstykker i kjemikaliebestandig ABS-plast.

AXION msr – unikt patentert spylebilde

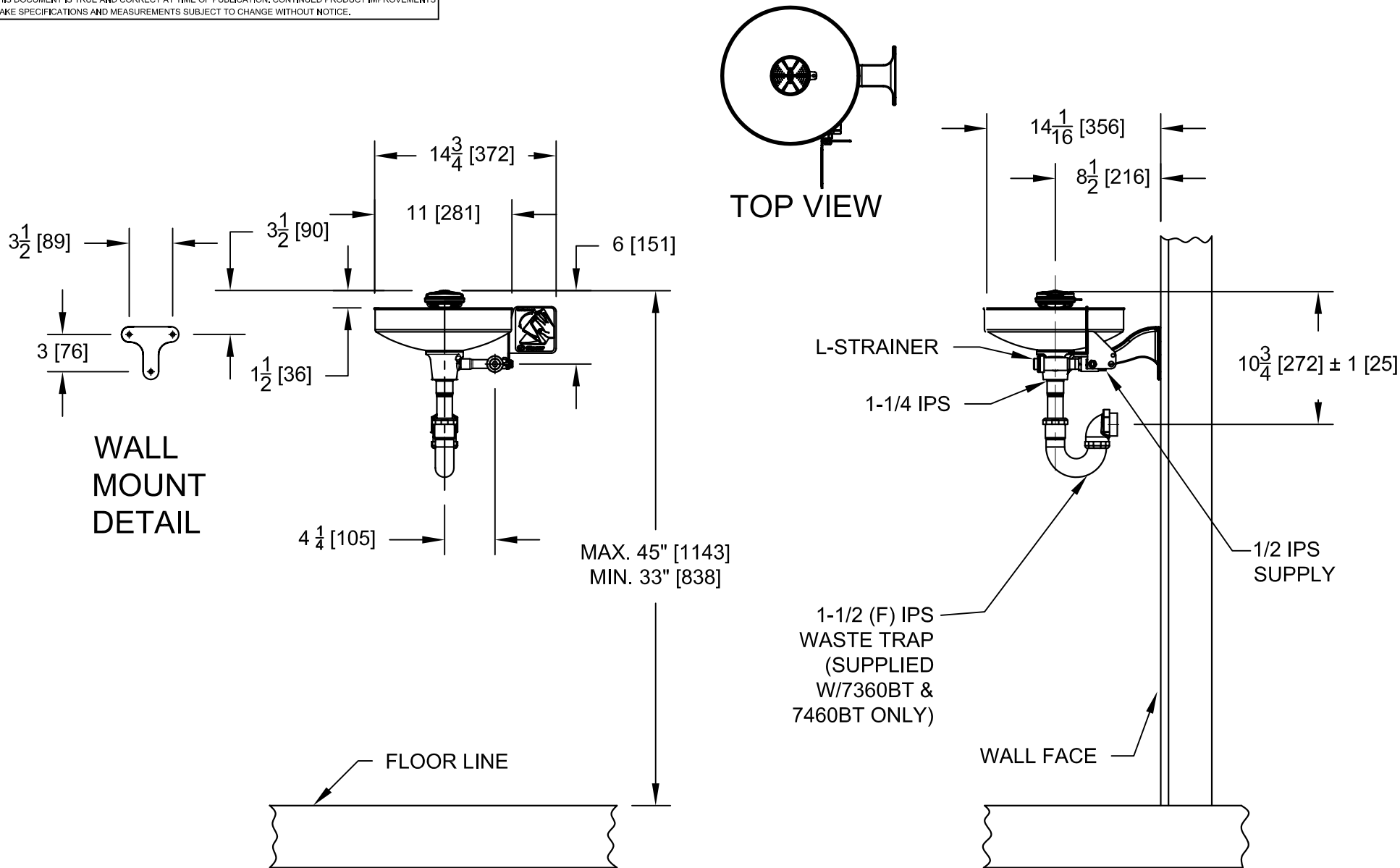
Automatisk trykk- og mengderegulering.

Veggfeste

*Vi anbefaler bruk av temperert vann til øye/ansiktsdusj,*

*Sikkerhetsblander: Modell MixSafe V3*





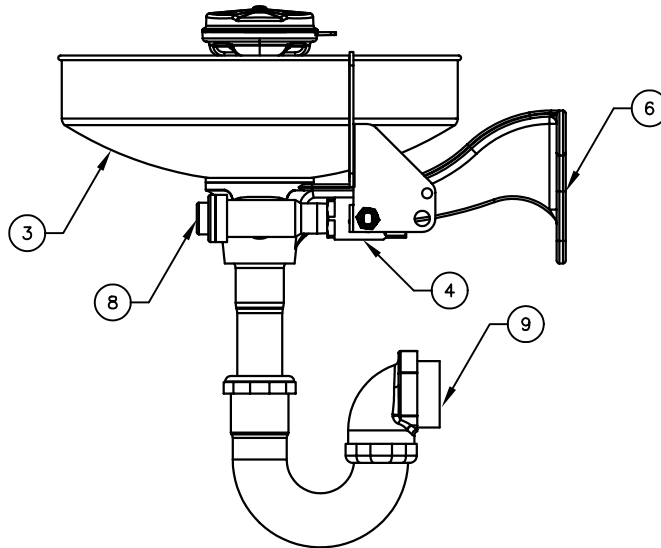
NOTES:

- METRIC DIMENSIONS ARE IN BRACKETS [X].
- TO COMPLY WITH ANSI Z358.1-2009 FOR EMERGENCY EYEWASH OR EYE/FACE WASH:
  - UNIT SHALL BE INSTALLED IN ACCORDANCE WITH MANUFACTURER'S INSTRUCTIONS AND ACCEPTABLE PLUMBING PRACTICES.
  - EYEWASH OR EYE/FACE WASH SHALL BE POSITIONED WITH NOZZLES NOT LESS THAN 83.8 CM (33 IN.) AND NO GREATER THAN 114.3 CM (45 IN.) FROM SURFACE ON WHICH USER STANDS AND 15.3 CM (6 IN.) MINIMUM FROM WALL OR NEAREST OBSTRUCTION.
- DIMENSIONS MAY VARY BY ± 1/2 [13].

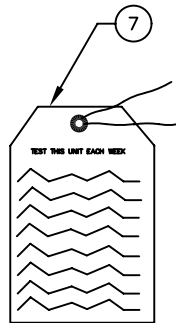
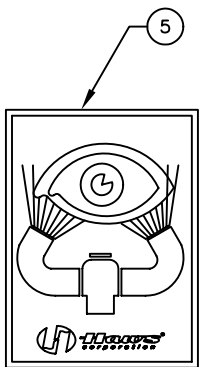
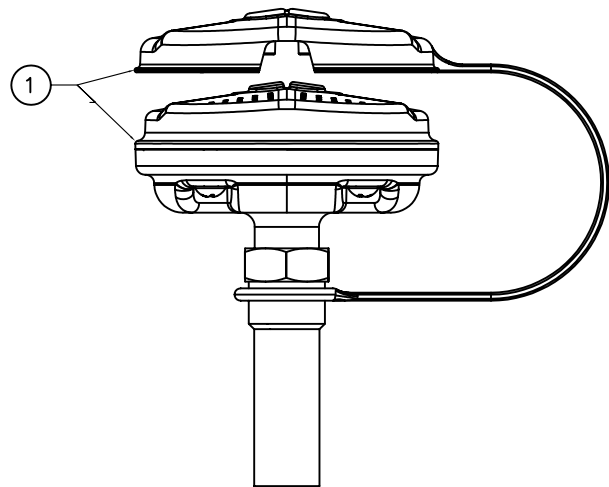
		1455 KLEPPE LANE SPARKS, NEVADA 89431 (775) 359-4712 FAX (775) 359-7424 E-MAIL: HAWS@HAWS.CO.COM WEBSITE: WWW.HAWS.CO.COM	
		ECN NO: 4110 DRAWN: SLS APPROVED:	REVISED PER: ECN: 4367 DATE: 4-28-08 DATE:
PART NUMBER: 0002080042.D DRAWING NUMBER: 08808A00 SIZE: A SHEET 1 OF 1		REV: 10	

# PARTS BREAKDOWN

ITEM	DESCRIPTION
1	SP65 EYE/FACE WASH ASSY
2	-
3	SP90 BOWL
4	SP229 VALVE ASSEMBLY
5	SP175 EYEWASH SIGN
6	SP80 BRACKET
7	SP170 TEST TAG
8	SP509 L-STRAINER
9	SP95 TAILPIECE & TRAP
--	VRKEWSTR STR. REPAIR KIT
--	SP69FC EYEWASH ASSEMBLY



NOTE: SP95 TAILPIECE & TRAP INCLUDED W/MODEL 7360BT & 7460BT ONLY



**SP65 EYE/FACE WASH ASSEMBLY**  
 (INCLUDES: EYE/FACE WASH HEAD (SHOWN)  
 EYEWASH HEAD (NOT SHOWN), EYEWASH FLOW  
 CONTROL (NOT SHOWN), DUST COVER (SHOWN))

REV	DESCRIPTION	ECN	DATE	BY/APVD
10	UPDATED PER ECN	4367	12/2/09	IR
REVISIONS				

**WHEN ORDERING  
 PARTS PLEASE  
 SPECIFY YOUR  
 MODEL NUMBER**



1455 KLEPPE LANE  
 SPARKS, NEVADA 89431  
 (775) 359-4712 FAX (775) 359-7424  
 E-MAIL: HAWS@HAWS.CO.COM  
 WEBSITE: WWW.HAWS.CO.COM

DRAWN BY: CLF	DATE: 02/23/93	CHECK BY:	APPVD BY:	SCALE: 3/4
TITLE: 7360B/7460B, 7360BT/7460BT			PART NUMBER: 0002080042	
DRAWING TYPE: PARTS BREAKDOWN			DRAWING NUMBER: 11449C00	REV: 10