



Haws øye/ansiktsdusj, modell 7260B Axion

Best. nr: 7260B

NRF-nr: 4503501

Anslutning: DN 15 – ½" RG

Vannmengde: 14 l/min.

Avløp: 32 mm

Skål og spylemunnstykker i kjemikaliebestandig ABS-plast.

AXION msr – unikt patentert spylebilde

Betjeningshendel i rustfritt stål.

Automatisk trykk- og mengderegulering.

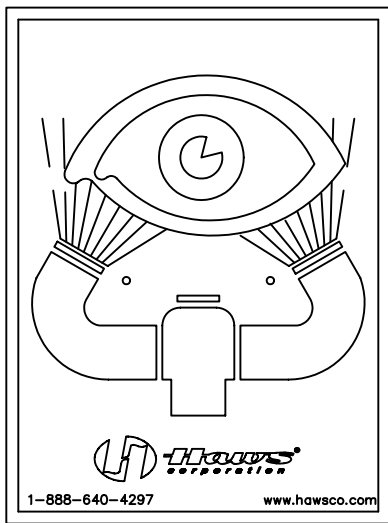
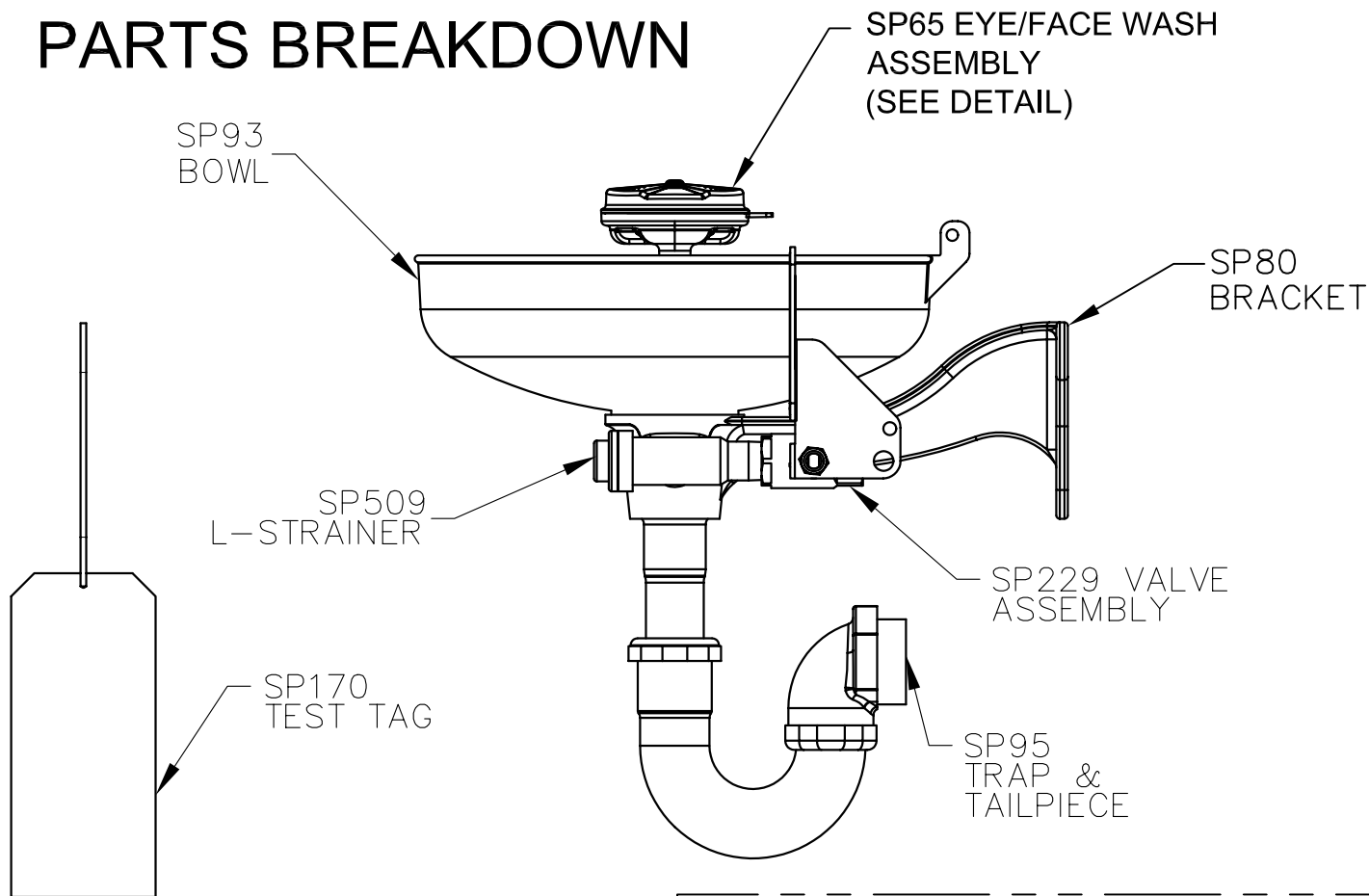
Veggfeste

Vi anbefaler bruk av temperert vann til øye/ansiktsdusj,

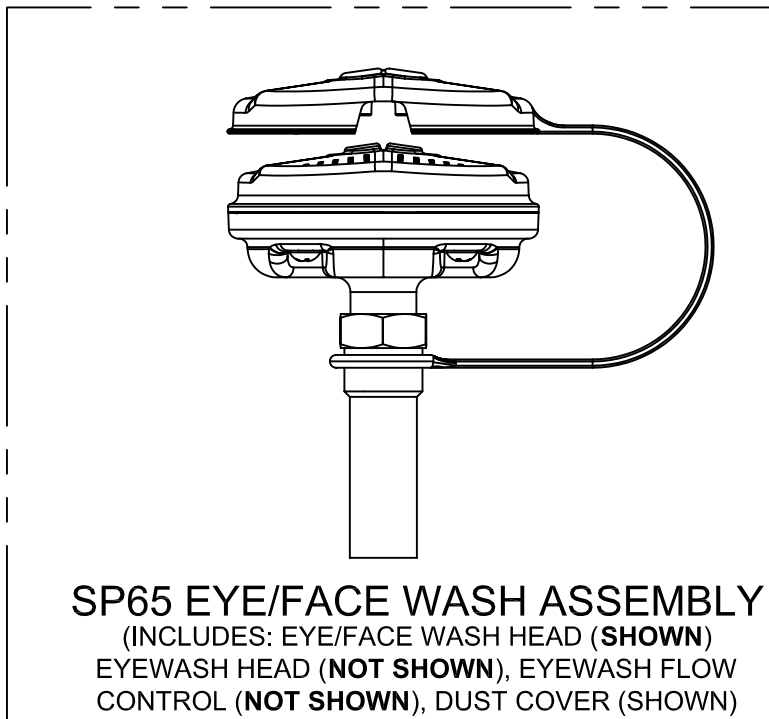
Sikkerhetsblander: Modell MixSafe V3



PARTS BREAKDOWN



SP175
EYEWASH
SIGN



SP65 EYE/FACE WASH ASSEMBLY
(INCLUDES: EYE/FACE WASH HEAD (SHOWN)
EYEWASH HEAD (NOT SHOWN), EYEWASH FLOW
CONTROL (NOT SHOWN), DUST COVER (SHOWN))

NOTE:

TRAP & TAILPIECE SUPPLIED WITH MODEL 7260BT & 7270BT ONLY.

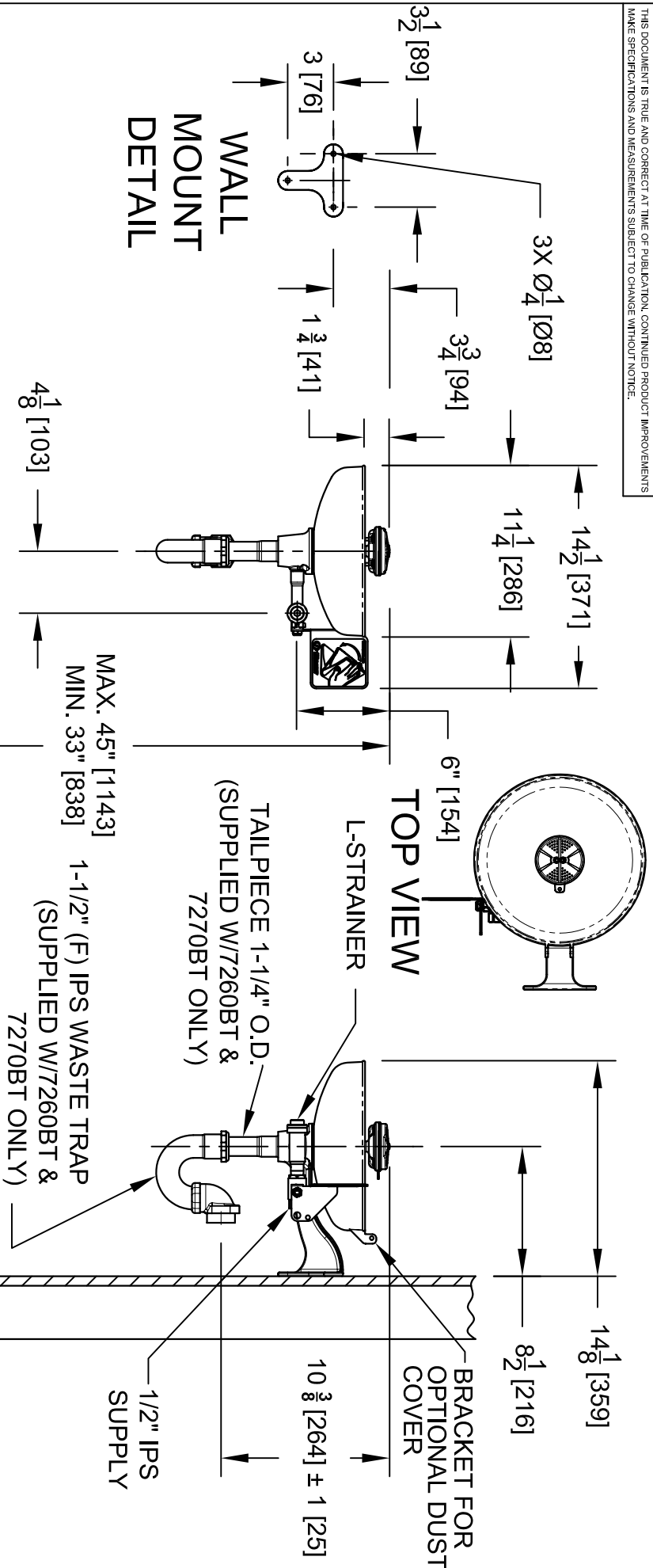
14	UPDATED PER ECN	4367	12/2/09	IR
REV	DESCRIPTION	ECN	DATE	BY/APVD
REVISIONS				

**WHEN ORDERING
PARTS PLEASE
SPECIFY YOUR
MODEL NUMBER**



1455 KLEPPE LANE
SPARKS, NEVADA 89431
(775) 359-4712 FAX (775) 359-7424
E-MAIL: HAWS@HAWS.CO.COM
WEBSITE: WWW.HAWS.CO.COM

DRAWN BY: RTM	DATE: 07/17/02	CHECK BY:	APPVD BY:	SCALE: 1/2
TITLE: 7260B/7270B, 7260BT/7270BT			PART NUMBER: 0002080038	
DRAWING TYPE: PARTS BREAKDOWN			DRAWING NUMBER: 15345A00	REV: 14



NOTES:

1. METRIC DIMENSIONS ARE IN BRACKETS [X].

2. TO COMPLY WITH ANSI Z358.1-2009 FOR EMERGENCY EYEWASH OR EYEFACE WASH:

- UNIT SHALL BE INSTALLED IN ACCORDANCE WITH MANUFACTURER'S INSTRUCTIONS AND ACCEPTABLE PLUMBING PRACTICES.
- EYEWASH OR EYEFACE WASH SHALL BE POSITIONED WITH NOZZLES NOT LESS THEN 83.8 CM (33 IN.) AND NO GREATER THAN 114.3 CM (45 IN.) FROM SURFACE ON WHICH USER STANDS AND 15.3 CM (6 IN.) MINIMUM FROM WALL OR NEAREST OBSTRUCTION.

3. DIMENSIONS MAY VARY BY ± 1/2 [13].

Haws Corporation

1455 KLEPPE LANE
SPARKS, NEVADA 89431
(775) 359-4712 FAX (775) 359-7424
E-MAIL: HAWS@HAWSCCO.COM
WEBSITE: WWW.HAWSCCO.COM

FIGURE: 4161	REVISION: ECH, 4/87	DATE: 5-1-08	APPROVER: SLS	MODEL(S): 7260BT/7270B, 7260BT/7270BT	INFO FAX DOC #: 272602, 272602B, 272702, 272702B	DATE: 10/2008	SIZE: A
0002080038.D	15344A00	14	1 OF 1				