



Haws drikkevannskjøler, modell HW8.50ES

Veggmontert
Kapasitet: 30 l/t
Anslutning KV: ½"
Avløp: 1"

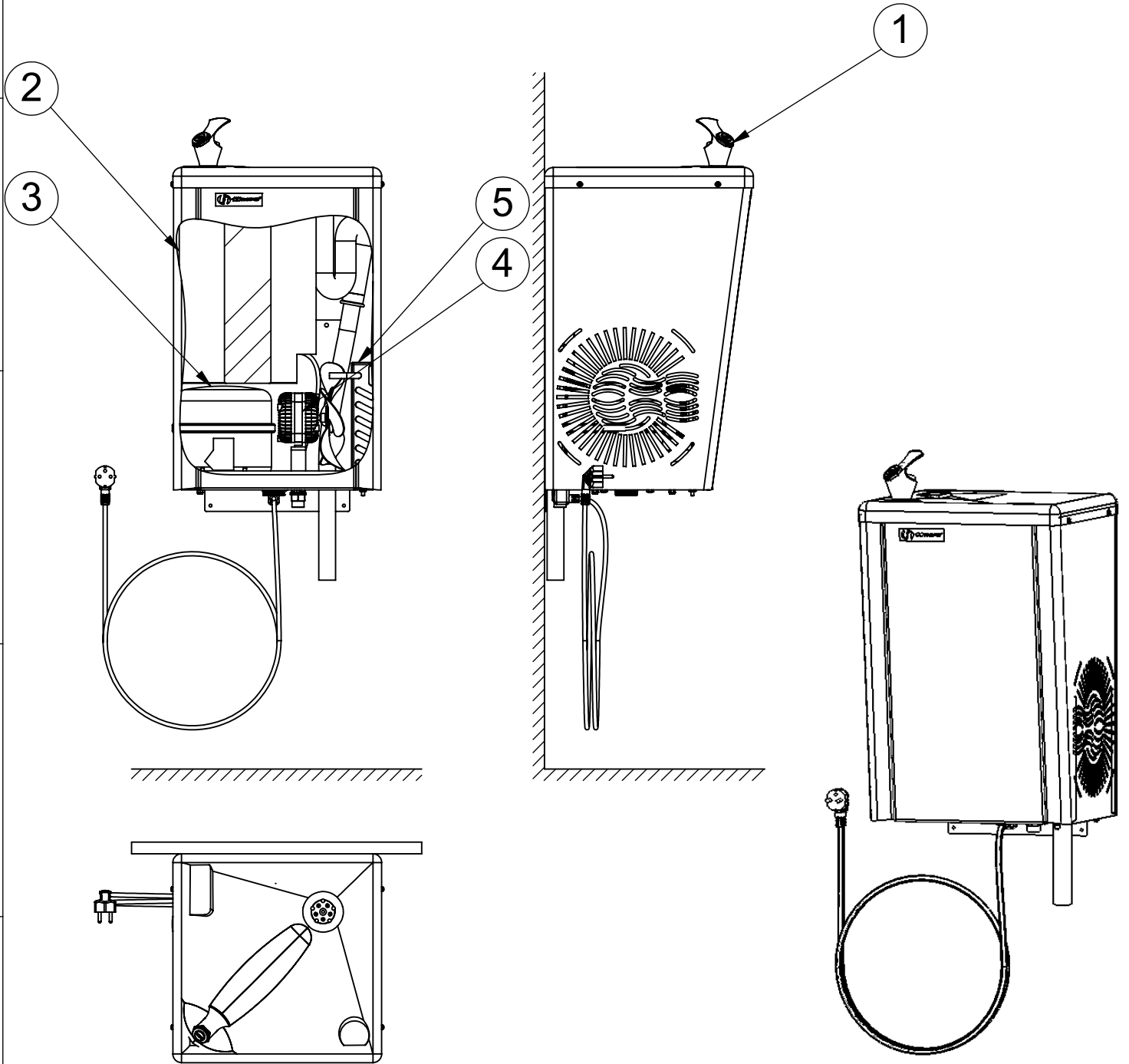
Drikkespiss i forkrommet messing, med selvlukkende trykknapp aktivering
Justerbar vannstråle
Kabinett i kraftig rustfritt stål
Rustfri polert toppplate, for vannopsamling og god avrenning
230V/50Hz

Kan også leveres med selvlukkende flaskepåfyller (modellen heter da HW8.50ES.5551)
Kan også leveres med vannfilter, mot tillegg (Filter: 6426)



PARTS BREAKDOWN

ITEM	PART NU.	DESCRIPTION
1	5010SS	Bubbler Valve
2	--	Water Tank
3	--	Compressor
4	--	Ventilator
5	--	Chiller



ZONE	REV	DESCRIPTION	ECN	DATE	BY
REVISIONS					

PARTS BREAKDOWN WHEN ORDERING PARTS PLEASE SPECIFY YOUR MODEL NUMBER	MATERIAL		1.4301 (X5CrNi18-10)	
	SURFACE		WEIGHT	
			63.38	
	APPROVALS		DATE	
	DRAWN		08.04.2013	
	CHECKED		08.04.2013	
	REVISED		03.06.2013	
	SCALE 1:10		SHEET 1 OF 1	

T +41 (0)34 420 60 00
F +41 (0)34 420 60 01

BACHWEG 3
CH3401 BURGDORF
SWITZERLAND

www.haws.ch
info@haws.ch

TITLE

HW8.50ES

SPECIFICATION

Water Cooler

SIZE **DRAW NO.** **REV.**

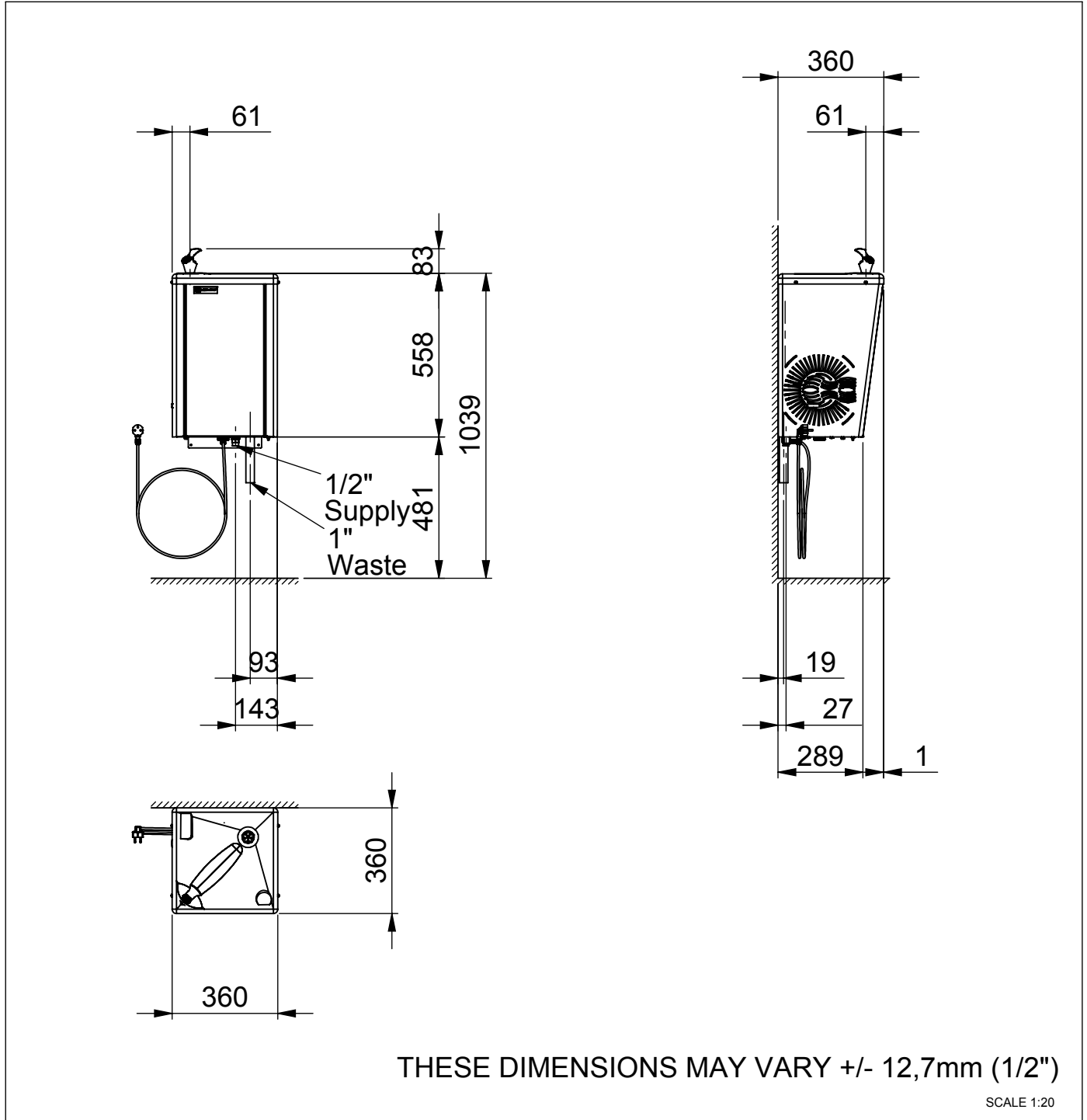
A4 2077580 .

THIS DOCUMENT AND THE DATA DISCLOSED HEREIN OR HEREWITH IS NOT TO BE REPRODUCED, USED, OR DISCLOSED IN WHOLE OR IN PART TO ANYONE WITHOUT THE PERMISSION OF HAWS CORPORATION.

Model HW8.50ES
Water Cooler

No.2077580

Important: please keep these instructions for maintenance purposes.





HAWS DRINKING FAUCET COMPANY FITTINGS AND OPERATING INSTRUCTIONS

HAWS AG • Bachweg 3 • CH-3401 Burgdorf • Switzerland • www.haws.ch
HAWS Corporation • P.O.Box 2070 • 1455 Kleppe Lane • Sparks, Nevada 89431/USA • www.hawsco.com

Model **HW8.50ES**

Water Cooler

No.2077580

MODEL: HW SERIES

Installation and Maintenance Instructions

INSTALLATION

1. **CAUTION:**Care should be taken not to puncture refrigeration system lines. The lines contain gas under high pressure.
2. **IMPORTANT:**While it is quite common to ground electrical equipment to waterlines, a potential problem arises when water coolers are connected to these water lines. An electrolytic condition will often occur which results in the drinking water have a metallic taste. To prevent this from happening, place a dielectric coupling in the water supply line between the mains and the cooler being installed, and also put in a plastic drain trap.
3. **WATER SUPPLY:**3/8" O.D. copper inlet line connection with strainer. **IMPORTANT:**Flush building water supply line to remove all foreign matter before cooler is connected. Warranty claims will not be accepted if a clear water supply can not be guaranteed, it is recommended to install a HAWS filter.
4. **WASTE CONNECTION:**1" O.D. tube - installer must provide a waste trap and comply in accordance with local codes.
5. **ELECTRICAL CONNECTION:**Cooler supplied with power cord and NEMA 5-15 plug. Ensure power supply data is exactly the same as voltage, frequency, and phase specified on nameplate. Make sure the electrical supply is provided with a grounding (earthing) conductor. **NEVER** wire compressor directly to the power supply.
6. **MATERIALS NOT FURNISHED:**Drain trap, shut off valve and mounting screws.
7. **VENTILATION:** A 4" clearance beyond cooler louvers is required for proper ventilation. Failure to comply with this clearance requirement may cause compressor failure and void warranty. (Not required for water-cooled units).
8. **START UP:**Fill the cooler with water. Before plugging unit into electrical supply, make sure fan blade rotates freely (Not required for water-cooled units).

MAINTENANCE

1. **IMPORTANT:**All service must be performed by an authorized service person.
2. **APPEARANCE:**Clean top and cabinet with mild cleaning agent.
3. **LOUVERS:**Keep clean and free of paper, debris and dust to assure good operation.
4. **ADJUSTMENTS:**
 - **Water flow regulator:**remove front panel, locate regulator mounted on front brace, rotate adjustment screw clockwise to raise stream height.
 - **Cold thermostat control:**remove front panel, locate thermostat mounted on left side panel and rotate adjustment screw clockwise to lower water temperature. Rotate counter-clockwise to natural stop to turn unit OFF.
 - **Hot thermostat control:**(if applicable) nonadjustable.
5. **STORAGE OF COOLER:**All water must be drained from cooler before storing, especially in areas subject to freezing temperatures (This includes models with water-cooled condensers).