



Haws gulvmontert drikkefontene, modell 3380

Utførelse: Pulverlakkert galvanisert stål, oppsamlingskål i rustfritt stål – Satin finish

Anslutninger: Vann ½", Avløp: 1 ½"

Skjulte anslutninger – Tilkobling i bunnen/inspeksjonsluke

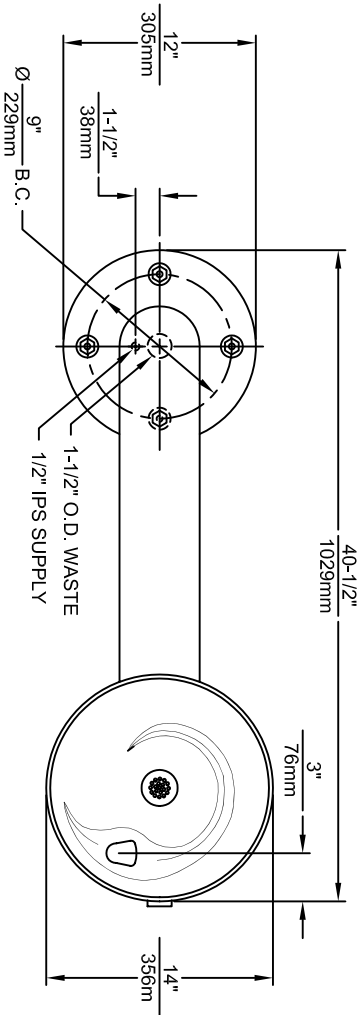
Forkrommet drikkemunnstykke

Betjening via rustfri trykknapp – justerbar høyde på vannstråle

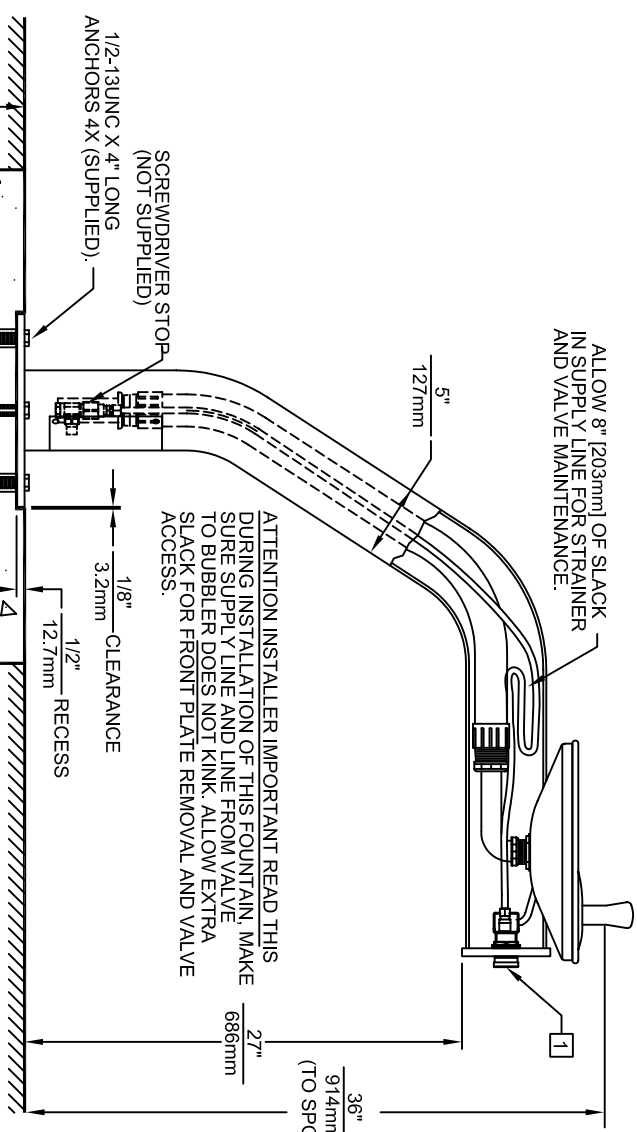
Hærverksikker utførelse

Kan også leveres i frostsikker utførelse, med dreneringsventil som ansluttes frostfritt.

Modellen heter da 3380FR

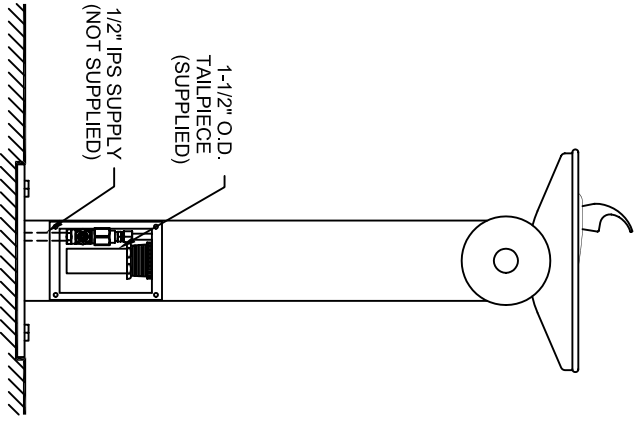


NOTES:
 1. REFER TO 5874SS OPERATION AND MAINTENANCE MANUAL FOR PUSH BUTTON AND VALVE INSTALLATION/ MAINTENANCE INSTRUCTIONS.

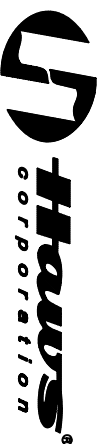
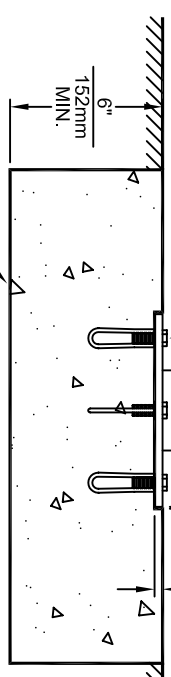


ATTENTION INSTALLER IMPORTANT READ THIS DURING INSTALLATION OF THIS FOUNTAIN. MAKE SURE SUPPLY LINE AND LINE FROM VALVE TO BUBBLER DOES NOT KINK. ALLOW EXTRA SLACK FOR FRONT PLATE REMOVAL AND VALVE ACCESS.

ALLOW 8" [203mm] OF SLACK IN SUPPLY LINE FOR STRAINER AND VALVE MAINTENANCE.



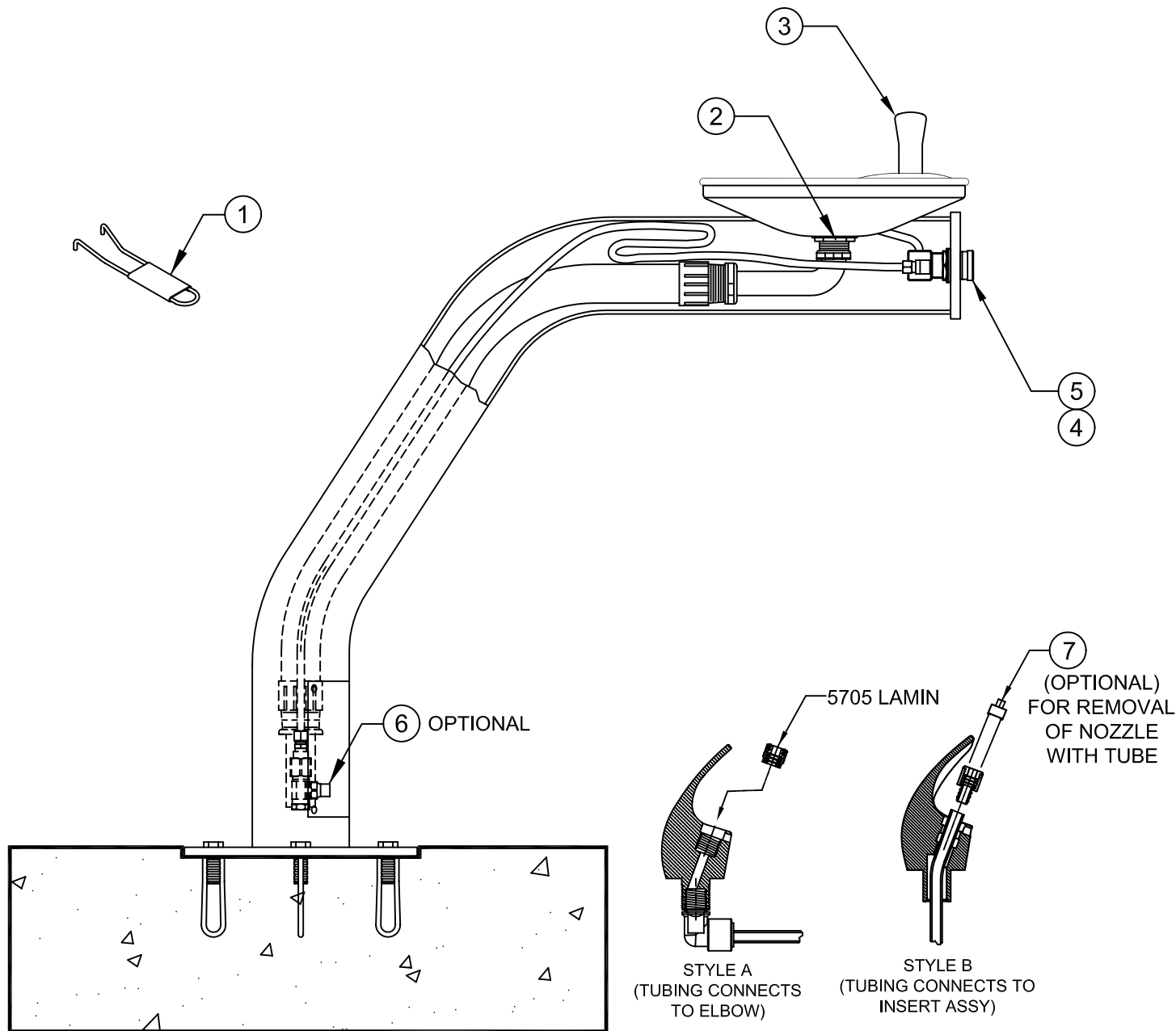
30" SQUARE CONCRETE SLAB. (NOT SUPPLIED)



EGR. NO.: 108595958 DRAWING: C HAWES DATE: 07/27/92 APPROVER:	EGN. NO.: 4177 DATE: 07/27/92 CHECK:	MODEL(S): 3380/3380G INFO. FAX. DOC. #: 23390/233904	1455 KLEPPE LANE SPARKS, NEVADA 89431 (775) 359-4712 FAX (775) 359-7424 E-MAIL: HAWS@HAWSCC.COM WEBSITE: WWW.HAWSCC.COM	QTY: 002077367.D SIZE: A SHEET: 1 OF 1
--	--	---	---	---

ITEM	DESCRIPTION
1	SPANNER WRENCH P/N 0006983506
2	STRAINER 0005624292
3	BUBBLER HEAD 5705 (STYLE A OR STYLE B)
4	PUSH BTN ASS'Y PBA7
5	VALVE 5874
6	STOP ASSY, 1/2" X 1/4" 6449
7	DRIVER, NOZZLE .25 HEX 0002082253

PARTS BREAKDOWN



FOUNTAIN COULD HAVE EITHER STYLE

DETAIL A
ROTATED 90° INTO VIEW

**WHEN ORDERING
PARTS PLEASE
SPECIFY YOUR
MODEL NUMBER**



1455 KLEPPE LANE
SPARKS, NEVADA 89431
(775) 359-4712 FAX (775) 359-7424
E-MAIL: HAWS@HAWS.CO.COM
WEBSITE: WWW.HAWS.CO.COM

REV	DESCRIPTION	ECN	DATE	BY/APVD
16	UPDATED PER	4177	12/08/09	HM
REVISIONS				

DRAWN BY: D. OLLOM	DATE: 11/25/95	CHECK BY:	APPVD BY:	SCALE: 1/4
TITLE: 3380/3380G			PART NUMBER: 0002077367	
DRAWING TYPE: PARTS BREAKDOWN			DRAWING NUMBER: 12816C00	REV: 16