

Haws gulvmontert drikkfontene, modell 3121 FR



Haws gulvmontert drikkfontene - Frostsikker

Modellnr: 3121 FR

Utførelse: Armert betong med struktur – Oppsamlingsskål i rustfritt stål

Anslutninger: Vann 1/2", Avløp: 1 1/4"

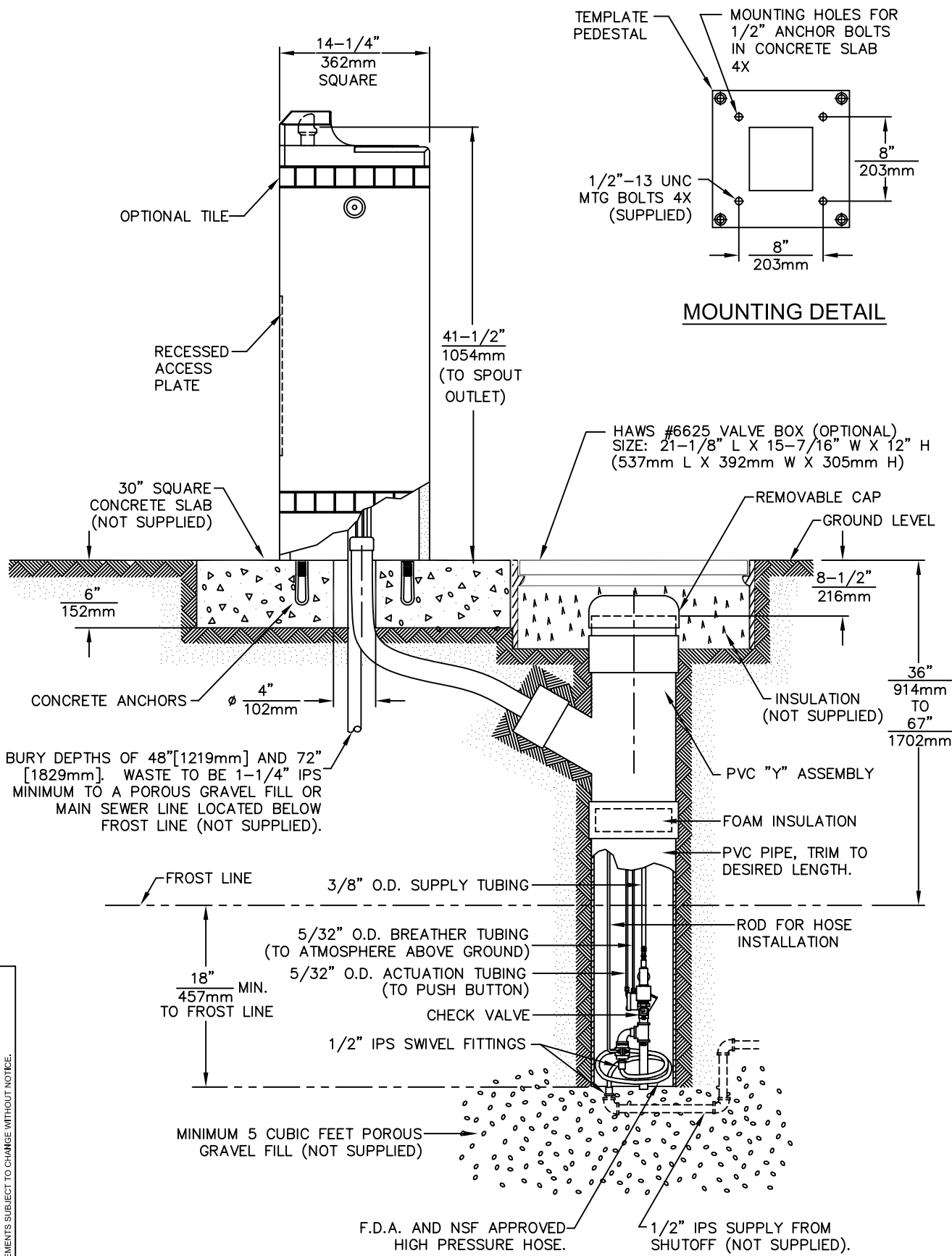
Skjulte anslutninger – Tilkobling i bunnen/inspeksjonsluke

Forkrommet drikkeunnstykke

Betjening via rustfri trykknapp – justerbar høyde på vannstråle

Hærverksikker utførelse

Leveres i frostsikker utførelse, med dreneringsventil som ansluttes frostfritt.



NOTE:

- 1. SEE SHEET 2 OF 3 FOR UNIT CONFIGURED WITH 6519FR FREEZE VALVE.

WITH 6518FR VALVE ASSEMBLY
SEE SHEET 3 OF 3 FOR DETAILS

1455 KLEPPE LANE
SPARKS, NEVADA 89431
(775) 359-4712 FAX (775) 359-1424
E-MAIL: HAWS@HAWS.CO.COM
WEBSITE: WWW.HAWS.CO.COM

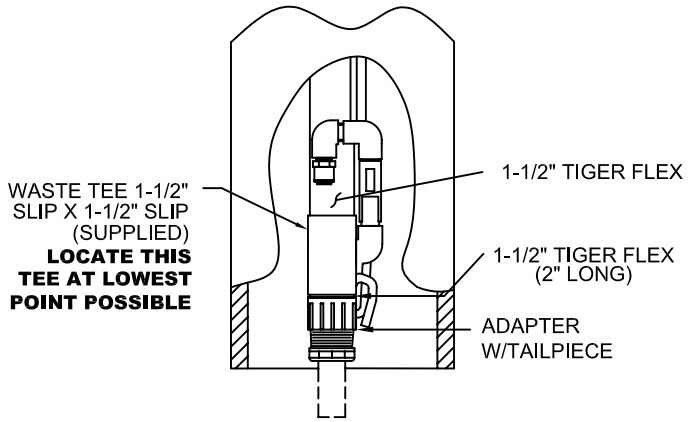
MODEL(S): 3121FR/3121.6519FR
INFO FAX DOC #: 2312137/23121937
SCALE: 1/32" = 1'-0" DRAWING TYPE: INSTALLATION/FABRICATION

EQ. NO.	REVISED BY	DATE	BY	DATE	BY
	ECN# 4177		HM		
APPROVED:					

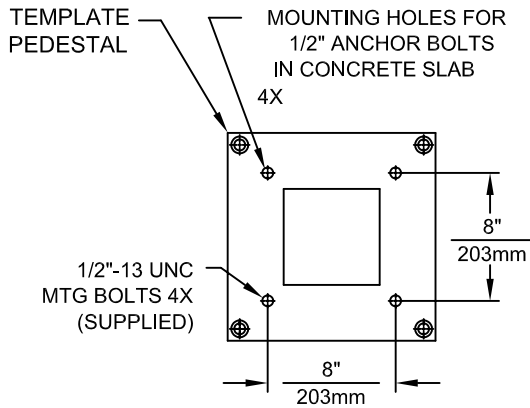
0002077064.D
10386C00
SHEET 1 OF 3

THIS DOCUMENT IS TRUE AND CORRECT AT TIME OF PUBLICATION. CONTINUED PRODUCT IMPROVEMENTS MAKE SPECIFICATIONS AND MEASUREMENTS SUBJECT TO CHANGE WITHOUT NOTICE.

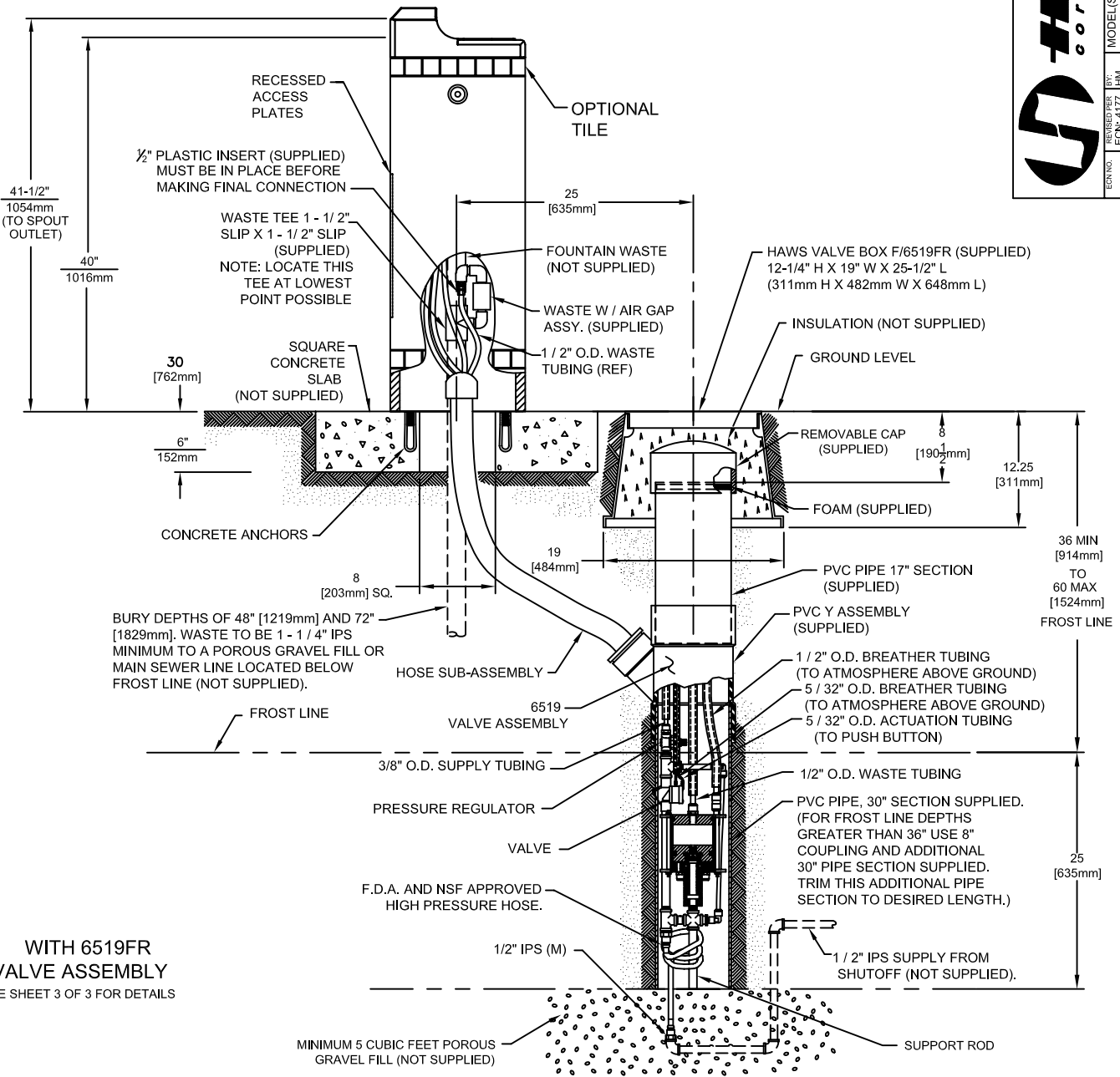
©2010 Haws Corporation - All Rights Reserved HAWS® and other trademarks used in these materials are the exclusive property of Haws Corporation.



WASTE W/AIR GAP ASSY. DETAIL



MOUNTING DETAIL



WITH 6519FR VALVE ASSEMBLY
SEE SHEET 3 OF 3 FOR DETAILS

1455 KLEPPE LANE
SPARKS, NEVADA 89431
(775) 359-4712 FAX (775) 359-7424
E-MAIL: HAWS@HAWSCO.COM
WEBSITE: WWW.HAWSCO.COM

Haws Corporation

MODEL(S): 3121FR/3121.6519FR
REV: 8
DATE: 02/23/06
DRAWN: LHM
CHECKED: LHM
ECN: 417
DATE: 02/23/06
APPROVED: LHM
SCALE: 1:1
DRAWING TYPE: INSTALLATION/FABRICATION
SHEET 2 OF 3

THIS DOCUMENT IS TRUE AND CORRECT AT TIME OF PUBLICATION. CONTINUED PRODUCT IMPROVEMENTS MAKE SPECIFICATIONS AND MEASUREMENTS SUBJECT TO CHANGE WITHOUT NOTICE.

©2010 Haws Corporation - All Rights Reserved HAWS® and other trademarks used in these materials are the exclusive property of Haws Corporation.

7/8 OD INSULATING TUBING
(MUST COVER ENTIRE SUPPLY
TUBING, FROM BUBBLER TO
FREEZE VALVE, TRIM TO FIT)

3/8 OD VINYL SUPPLY TUBING
(CONNECT TO BUBBLER TUBING WITH
SUPPLIED UNION, TRIM TO FIT)

PRESSURE REGULATOR

VALVE

1/2" O.D. WASTE TUBING
(TO AIR GAP ASSY)
(LABEL D)

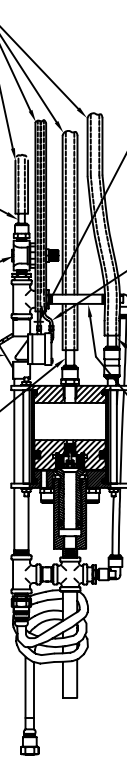
5/32" O.D. BREATHER TUBING
(TO ATMOSPHERE
ABOVE GROUND)
(LABEL C)

5/32" O.D. ACTUATION TUBING
(TO PUSH BUTTON)
(LABEL B)

1/2" O.D. BREATHER TUBING
(TO ATMOSPHERE
ABOVE GROUND)
(LABEL E)

USE THIS NIPPLE AS
A HOOKING POINT FOR
ROD (SUPPLIED) WHEN
LIFTING OR LOWERING
VALVE INTO CASING

CAUTION: VALVE ASSEMBLY
MUST BE KEPT VERTICAL AT
ALL TIMES. USE TEMPORARY
STAND PROVIDED UNTIL VALVE
INSTALLATION IS FINALIZED.



6519FR FREEZE VALVE DETAIL

(3 WAY DIVIDER W/TUBING AT
BASE NOT SHOWN FOR CLARITY)



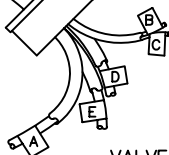
1455 KLEPPE LANE
SPARKS, NEVADA 89431
(775) 359-4712 FAX (775) 359-7424
E-MAIL: HAWS@HAWS.CO.COM
WEBSITE: WWW.HAWS.CO.COM

REV.	8	DATE	02/13/06	BY	HJM
APPROVED		DATE		BY	HJM
MODEL(S)	3121FR/3121.6519FR				
INFO	2312137/23121937				
SEAL	1317				
DRAWING TYPE	INSTALLATION/BACK				
SIZE	A SHEET 3 OF 3				

THIS DOCUMENT IS TRUE AND CORRECT AT TIME OF PUBLICATION. CONTINUED PRODUCT IMPROVEMENTS
MAKE SPECIFICATIONS AND MEASUREMENTS SUBJECT TO CHANGE WITHOUT NOTICE.



HOSE SUB-ASSEMBLY
(DO NOT ALLOW ANY LOW SPOTS
IN TUBING AFTER FINAL ASSEMBLY)



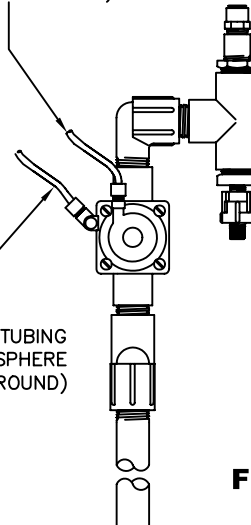
VALVE CONNECTIONS
(SEE VALVE DETAIL)

FOUNTAIN CONNECTIONS

(FOLLOW INSTRUCTIONS ON LABELS)

ACTUATION TUBING
(TO PUSH BUTTON)

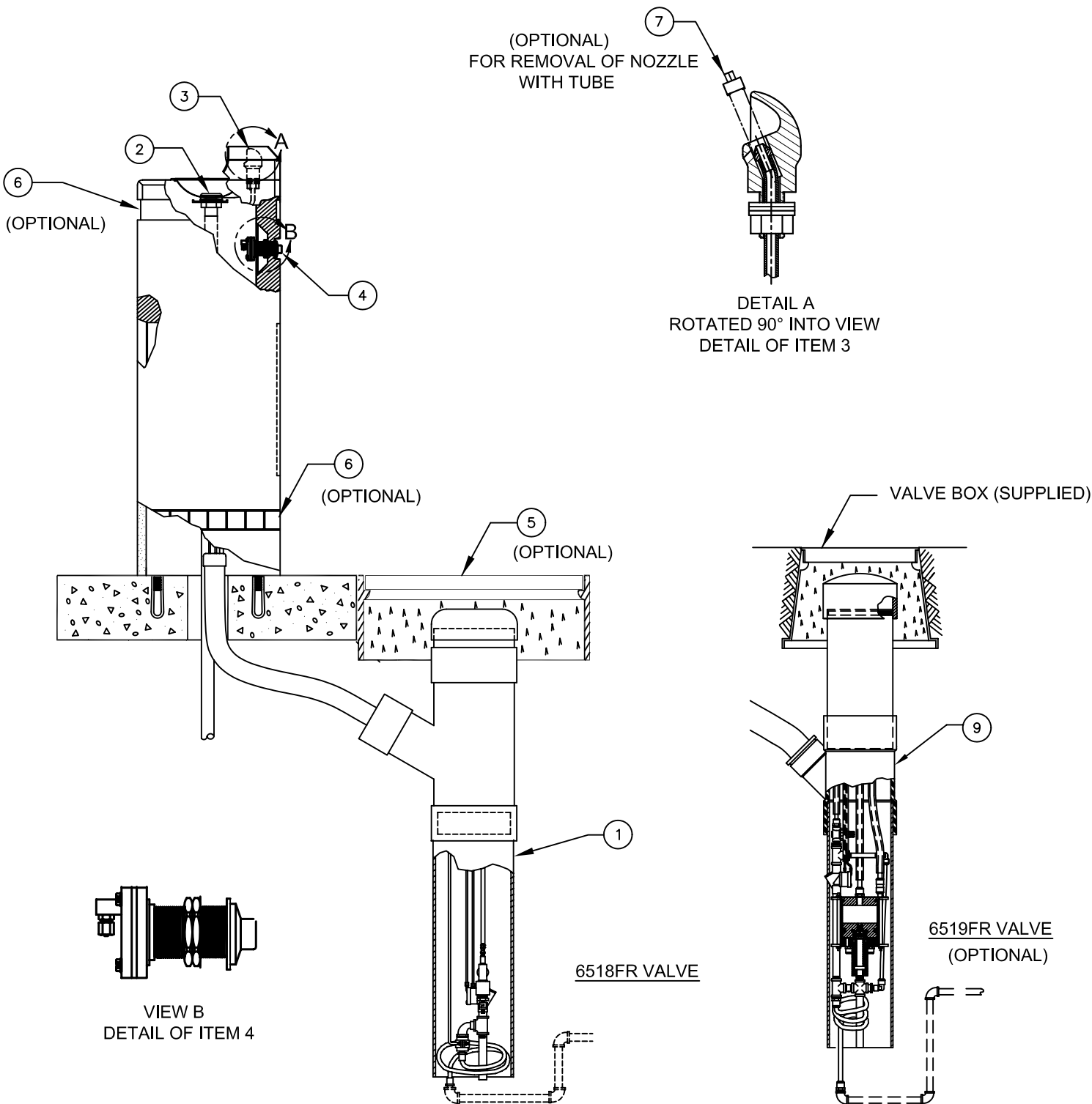
BREATHER TUBING
(TO ATMOSPHERE
ABOVE GROUND)



**6518FR
FREEZE VALVE
DETAIL**

ITEM	DESCRIPTION
1	VALVE 6518FR
2	STRAINER ASSY 6466
3	BUBBLER HEAD 5703M
4	PUSH BTN ASS'Y 5881PBA
5	VALVE BOX 6625 (OPTIONAL)
6	TILE (OPTIONAL)
7	DRIVER, NOZZLE .25 HEX 0002082253
8	-
9	VALVE 6519FR (OPTIONAL)

PARTS BREAKDOWN



WHEN ORDERING PARTS PLEASE SPECIFY YOUR MODEL NUMBER



1455 KLEPPE LANE
SPARKS, NEVADA 89431
(775) 359-4712 FAX (775) 359-7424
E-MAIL: HAWS@HAWS.CO.COM
WEBSITE: WWW.HAWS.CO.COM

DRAWN BY: D. OLLOM	DATE: 11/25/95	CHECK BY:	APPRD BY:	SCALE: 1/8
TITLE: 3121FR/3121.6519FR			PART NUMBER: 0002077064	
DRAWING TYPE: PARTS BREAKDOWN			DRAWING NUMBER: 12807C00	REV: 8

REV	DESCRIPTION	ECN	DATE	BY/APVD
8	UPDATED PER	4177	11/30/09	HM
REVISIONS				