



### **Haws gulvmontert drikkefontene, modellnr 3060**

Utførelse: Armert betong med struktur – Oppsamlingskål i rustfritt stål

Anslutninger: Vann ½", Avløp: 1 ¼"

Skjulte anslutninger – Tilkobling i bunnen/inspeksjonsluke

Forkrommet drikkemunnstykke

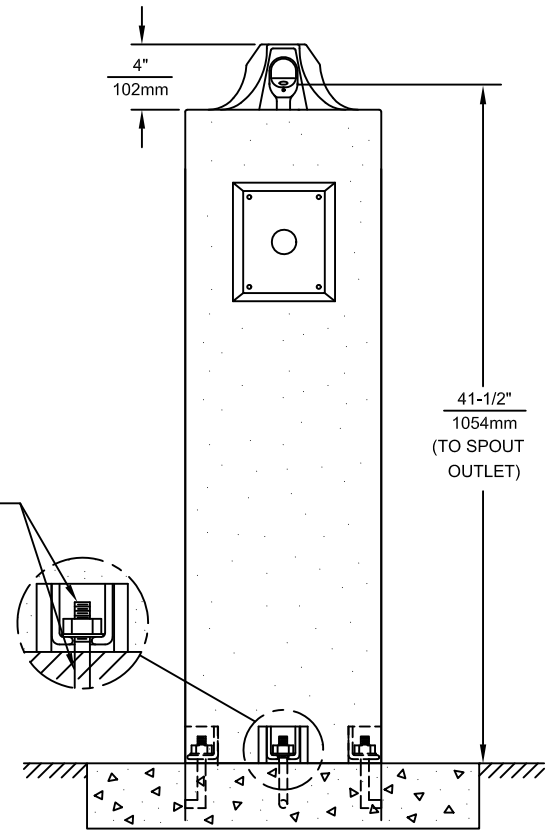
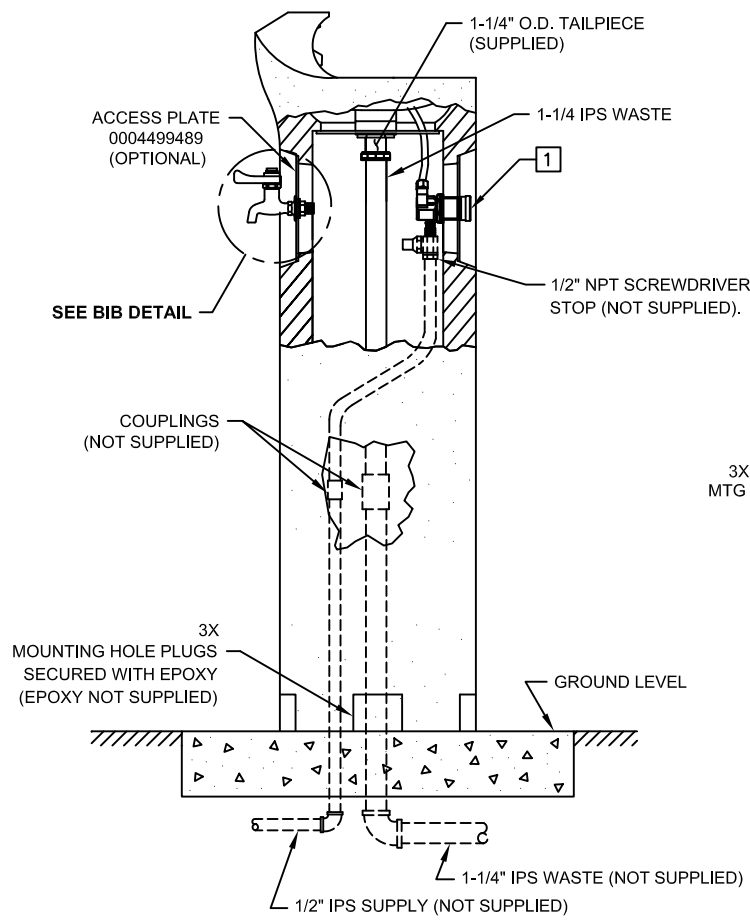
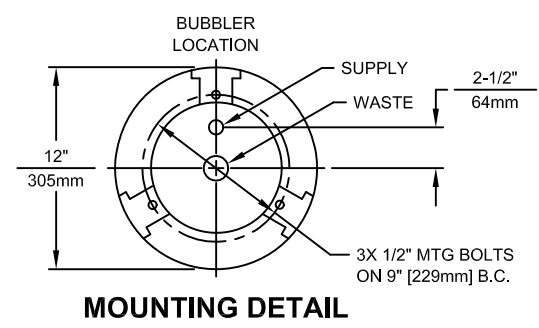
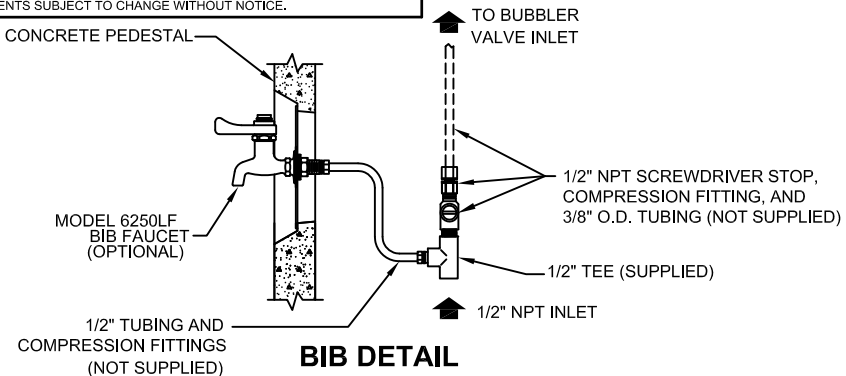
Betjening via rustfri trykknapp – justerbar høyde på vannstråle

Hærverksikker utførelse

Kan også leveres i frostsikker utførelse, med dreneringsventil som ansluttes frostfritt.


Modellen heter da 3060FR

THIS DOCUMENT IS TRUE AND CORRECT AT TIME OF PUBLICATION. CONTINUED PRODUCT IMPROVEMENTS MAKE SPECIFICATIONS AND MEASUREMENTS SUBJECT TO CHANGE WITHOUT NOTICE.

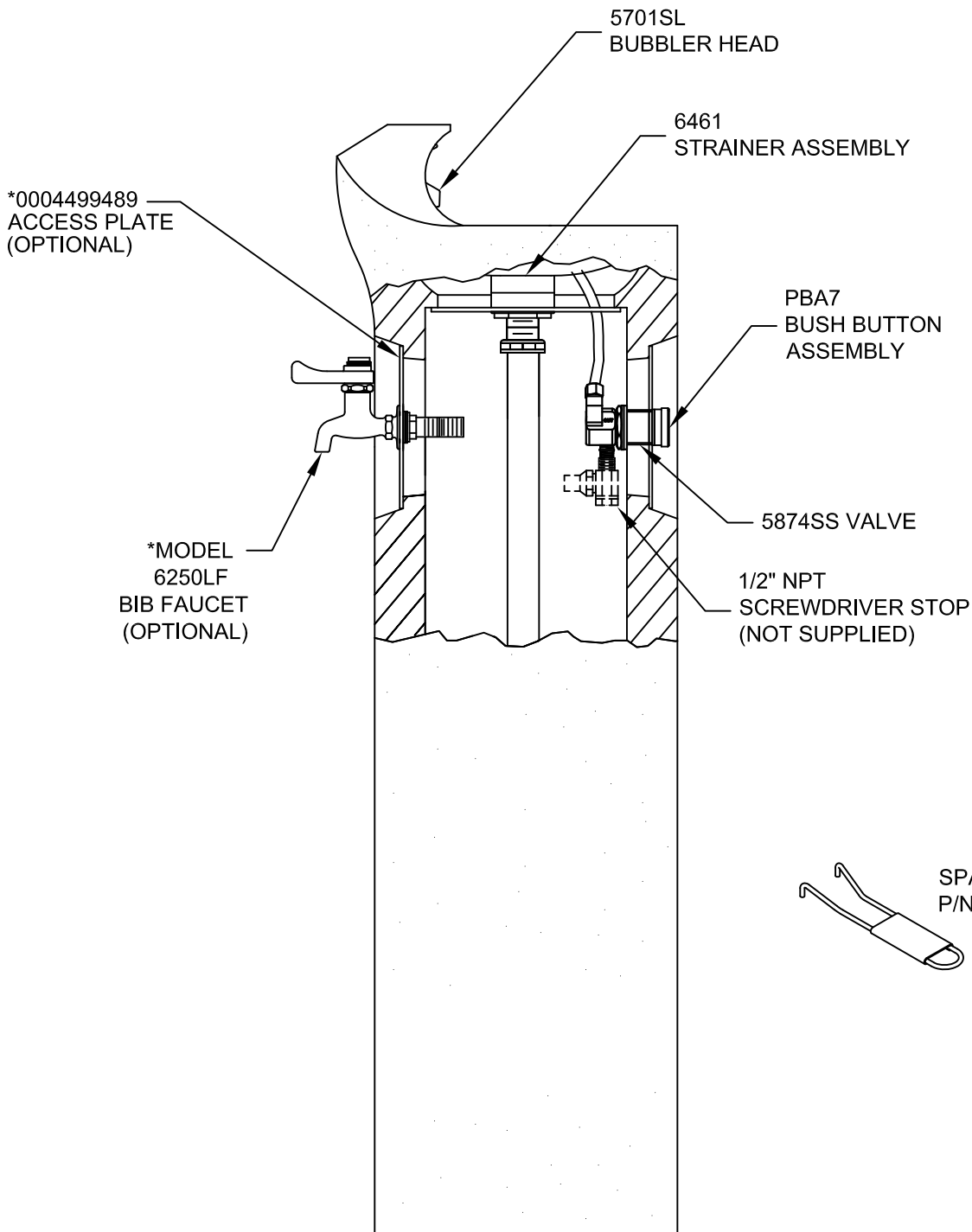


**NOTES:**

1 REFER TO 5874SS OPERATION AND MAINTENANCE MANUAL FOR PUSH BUTTON AND VALVE INSTALLATION/MAINTENANCE INSTRUCTIONS.

		1455 KLEPPE LANE SPARKS, NEVADA 89431 (775) 359-4712 FAX (755) 359-7424 E-MAIL: HAWS@HAWSCO.COM WEBSITE: WWW.HAWSCO.COM	
		ECN NO. REVISED PER BY: ECN:4646 HM	MODEL(S)
DRAWN: RF	DATE: 08/90	CHKD.:	3060
APPROVED:	DATE:	SCALE: 1:12	DRAWING TYPE: INSTALLATION
		SIZE: A	SHEET 1 OF 1
		DRAWING NO. 08935A00	REV 16

# PARTS BREAKDOWN



**\* NOTE: MODEL 6250LF MUST BE USED  
WITH ACCESS PLATE 0004499489**



**Haws®**

1455 KLEPPE LANE  
SPARKS, NEVADA 89431  
(775) 359-4712 FAX (755) 359-7424  
E-MAIL: HAWS@HAWS.CO.COM  
WEBSITE: WWW.HAWS.CO.COM

ECN NO.	REVISED PER	BY	MODEL(S)	PART NUMBER
	ECN: 4846	HM		0002077030
DRAWN	DATE	CHKD	3060	DRAWING NO.
D. OLLOM	11/25/95			12804C00
APPROVED	DATE		SCALE: 1:3	REV
			DRAWING TYPE: PARTS BREAKDOWN	16
			SIZE: A	SHEET 1 OF 1

WHEN ORDERING PARTS PLEASE SPECIFY MODEL NUMBER.