



Haws veggmontert drikkefontene, modell 1105

Utførelse: rustfritt stål AISI 304 – Satin finish.

Anslutninger: Vann: ½", Avløp: 1 ¼"

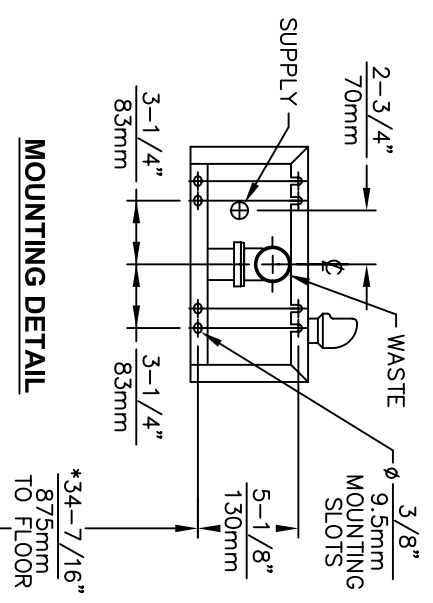
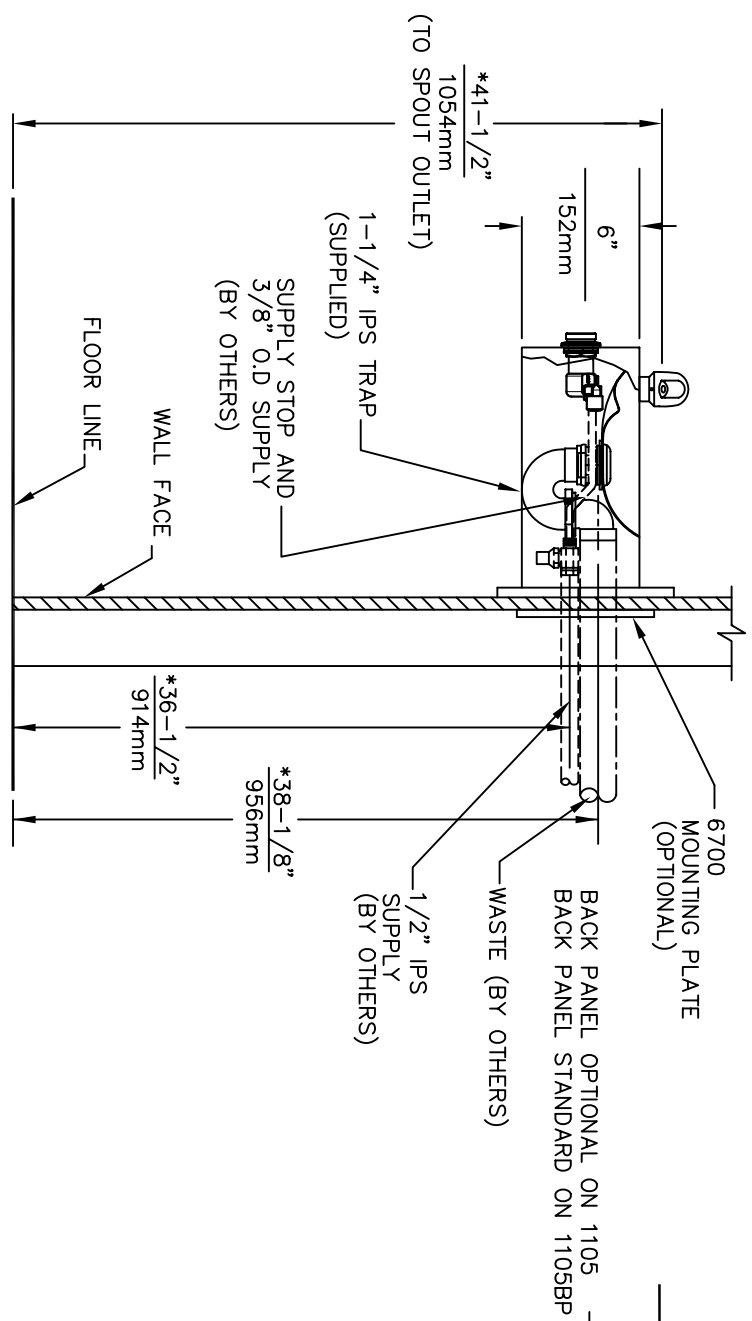
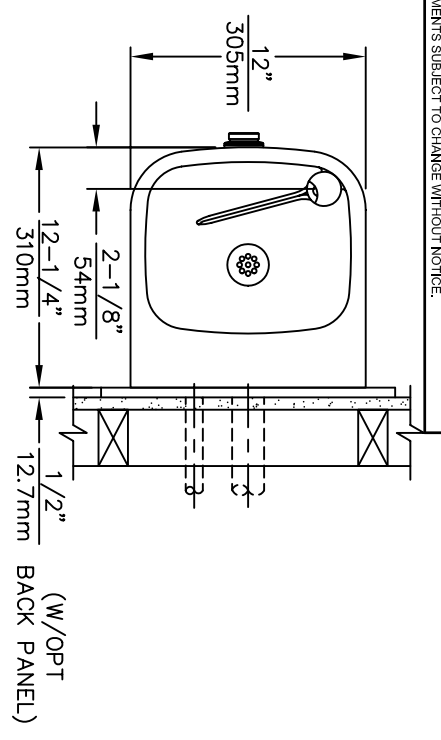
Skjulte anslutninger – Tilkobling gjennom vegg

Forkrommet drikkemunnstykke

Betjening via rustfri trykknapp – justerbar høyde på vannstråle.

Med inspeksjonsluke i bunn for tilgang ved service/montasje

Hærverksikker utførelse



NOTES:

1. HOLD ROUGH-IN DIMENSIONS ± 1/4" (6.4mm).
2. WHEN INSTALLING THIS UNIT LOCAL, STATE OR FEDERAL CODES SHOULD BE ADHERED TO. FOR INSTALLATION HEIGHTS OTHER THAN SHOWN, DIMENSIONS MARKED (*) MUST BE ADJUSTED ACCORDINGLY.
3. REFER TO 5874SS/VRK5874 OPERATION AND MAINTENANCE MANUAL FOR PUSH BUTTON AND VALVE INSTALLATION/MAINTENANCE INSTRUCTIONS.

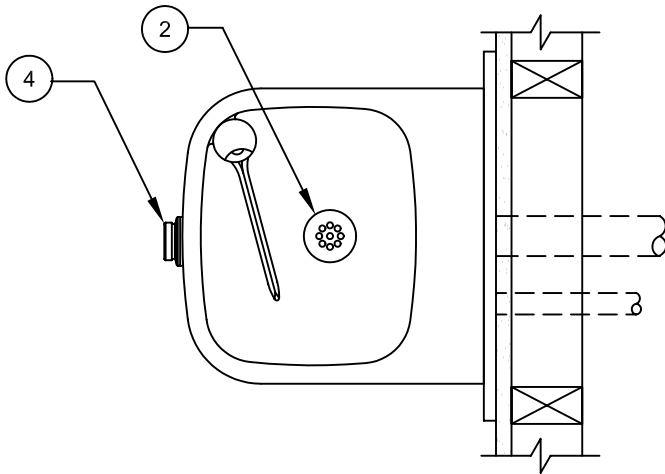


1455 KLEPPE LANE
 SPARKS, NEVADA 89431
 (775) 359-4712 FAX (756) 359-7424
 E-MAIL: HAWS@HAWSOO.COM
 WEBSITE: WWW.HAWSOO.COM

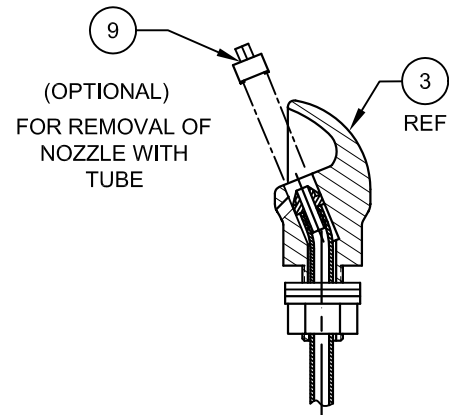
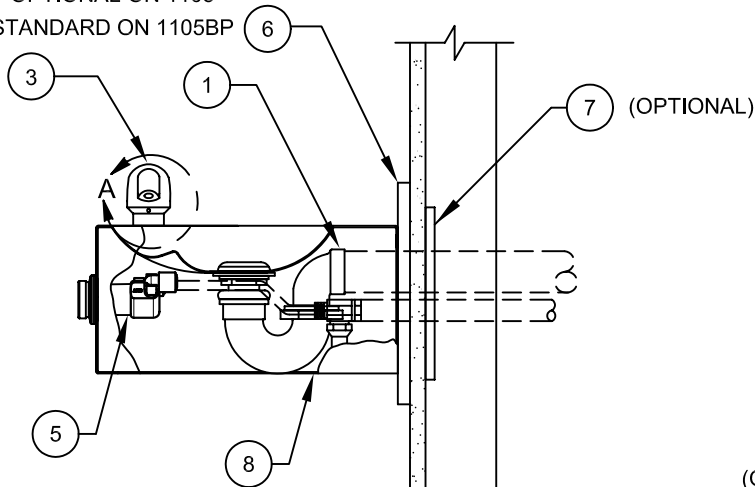
ECON. NO. REVISED PER BY:	MODEL(S)
DRAWING: ECON:4603	1105/1105BP
F. VASQUEZ 1/29/07	
DATE: CHK'D:	
APPROVER: DATE:	
SCALE: 1:1	DRAWING TYPE:
SIZE: A	SHEET: 1 OF 1
PART NUMBER: 0002076524.D	
DRAWING NO. 13527A00	
REV. 14	

PARTS BREAKDOWN

ITEM	DESCRIPTION
1	TRAP 0005982900
2	STRAINER ASSEMBLY 6462
3	BUBBLER HEAD 5703M
4	PUSH BUTTON ASSEMBLY PBA6
5	VALVE 5874 SS
6	BACK PANEL BP3
OPTIONAL 7	MOUNTING PLATE 6700
8	ACCESS PLATE PBM1105
OPTIONAL 9	DRIVER, NOZZLE .25 HEX 0002082253



OPTIONAL ON 1105
STANDARD ON 1105BP



DETAIL A
ROTATED 90° CW



Haws®

1455 KLEPPE LANE
SPARKS, NEVADA 89431
(775) 359-4712 FAX (755) 359-7424
E-MAIL: HAWS@HAWS.CO.COM
WEBSITE: WWW.HAWS.CO.COM

ECN NO.	REVISED PER	BY	MODEL(S)	PART NUMBER
	ECN:4603	HM	1105/1105BP	0002076524
DRAWN	DATE	CHKD		DRAWING NO.
F. VASQUEZ	04/10/98			13374C00
APPROVED	DATE		SCALE: 1:1	DRAWING TYPE: INSTALLATION
			SIZE: A	SHEET 1 OF 1

WHEN ORDERING PARTS PLEASE SPECIFY MODEL NUMBER.