



### **Haws veggmontert drikkefontene, modell 1001**

Utførelse: rustfritt stål AISI 304 – Satin finish.

Anslutninger: Vann: 3/8", Avløp: 1 ¼"

Skjulte anslutninger – Tilkobling gjennom vegg

Forkrommet drikkemunnstykke

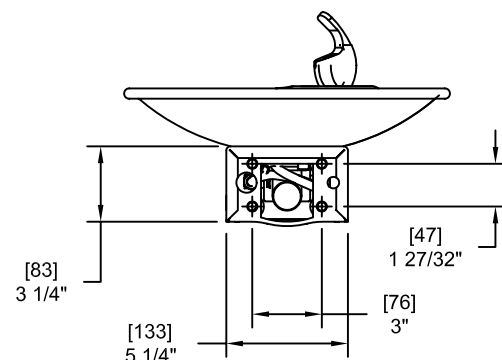
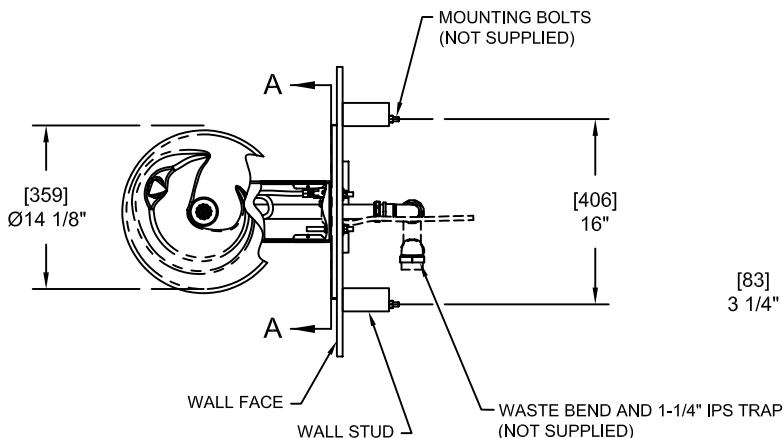
Betjening via rustfri trykknapp – justerbar høyde på vannstråle.

Med inspeksjonsluke i bunn for tilgang ved service/montasje

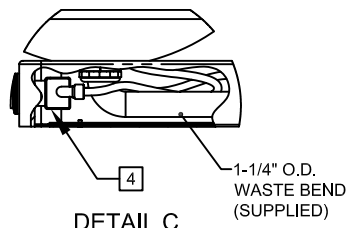
Hærverksikker utførelse

**NOTES:**

1. HOLD ROUGH-IN DIMENSIONS  $\pm 1/8"$  (3.2mm).
2. WHEN INSTALLING THIS UNIT, LOCAL, STATE, OR FEDERAL CODES SHOULD BE ADHERED TO FOR INSTALLATION DIMENSIONS (LOCATIONS), WASTE AND SUPPLY REQUIREMENTS OTHER THAN SHOWN.
3. INSTALLER MUST PROVIDE TRAP FOR PROPER INSTALLATION.
4. REMOVE VALVE FROM PUSH BUTTON TO INSTALL WASTE ELBOW ONTO BOWL. AFTER WASTE ELBOW IS INSTALLED, REINSTALL VALVE AND ADJUST FLOW.

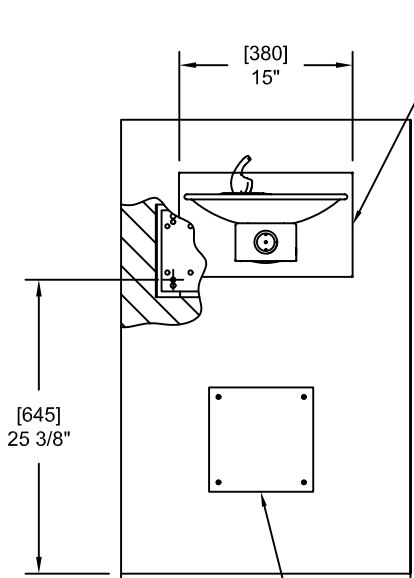


**SECTION A-A  
ROTATED 90° INTO VIEW  
BRACKET MOUNTING  
DETAIL**

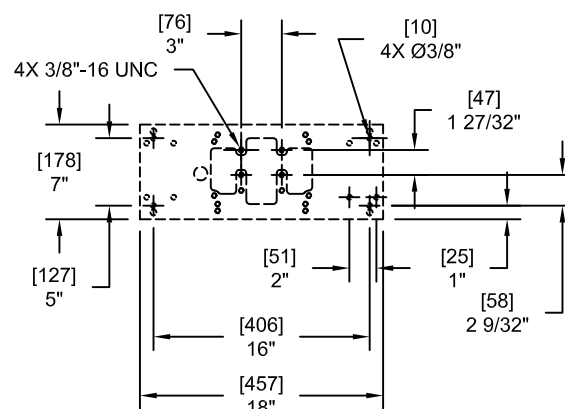
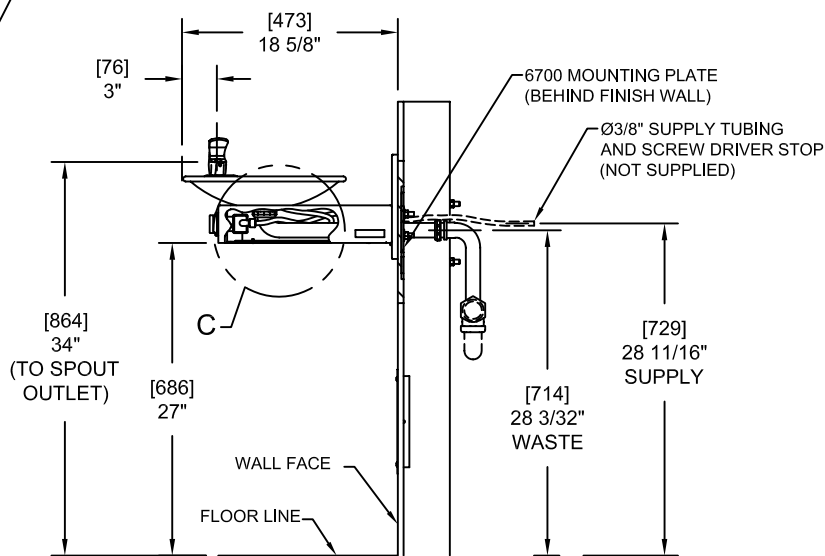


**DETAIL C**

BACK PANEL (OPTIONAL):  
1001 & 1001HPS  
(STANDARD):  
1001BP & 1001HPSBP



OPTIONAL TRAP ACCESS PANEL  
MODELS 6603 AND 6603HPS



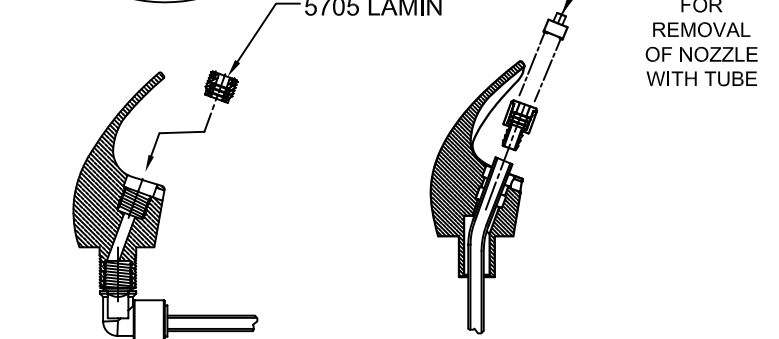
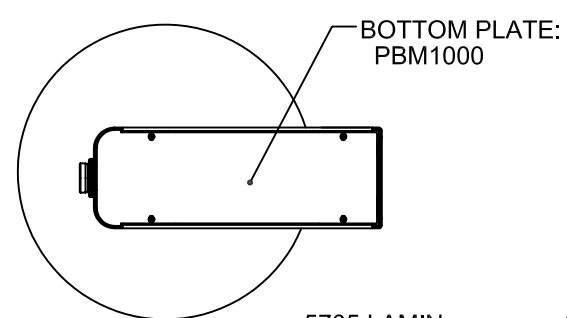
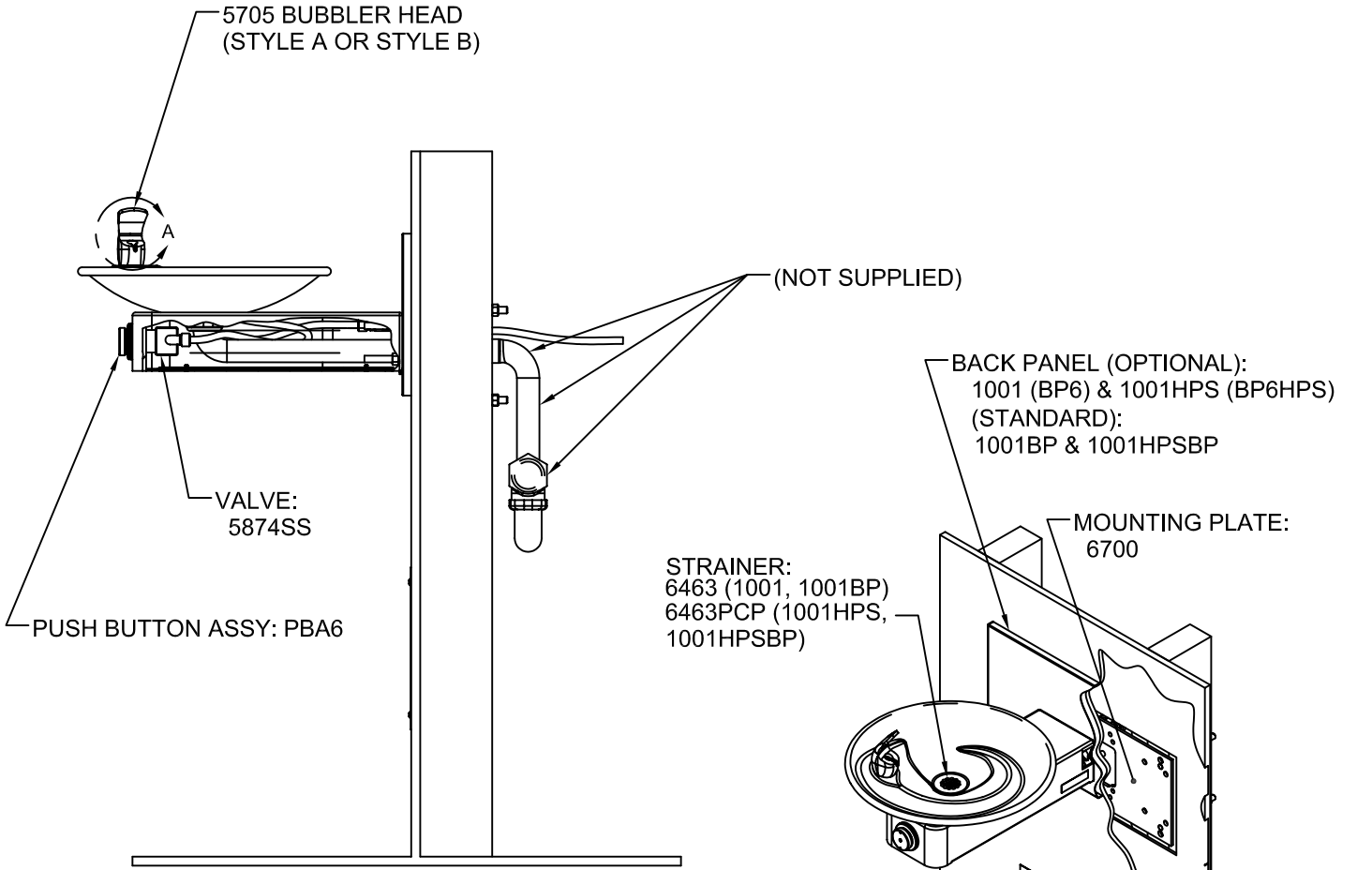
**6700 MOUNTING PLATE  
MUST BE INSTALLED BEFORE  
FINISH WORK. THIS PLATE IS A  
STANDARD ITEM.**



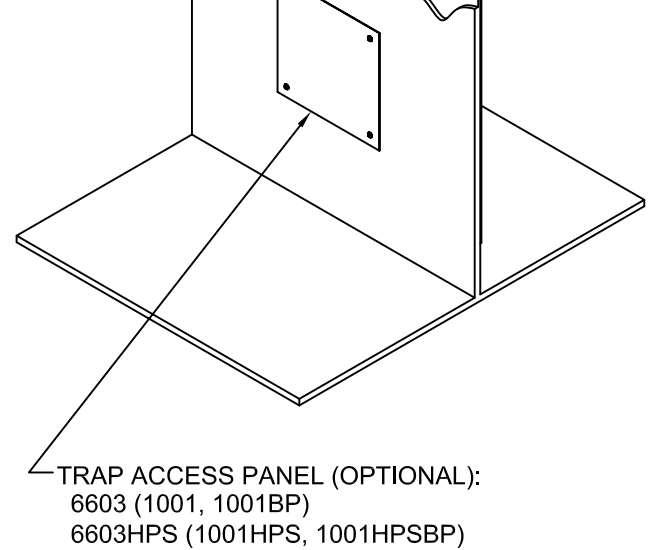
1455 KLEPPE LANE  
SPARKS, NEVADA 89431  
(775) 359-4712 FAX (775) 359-7424  
E-MAIL: HAWS@HAWS.CO.COM  
WEBSITE: WWW.HAWS.CO.COM

ECN NO. REVISED PER BY: ECN: 4603 HM	MODEL(S) 1001/1001BP/1001HPS/1001HPSBP	PART NUMBER: 0002076304.D
DRAWN: RTM DATE: 05/97	CHK'D:	DRAWING NO.: 15990A00
APPROVED:	DATE:	REV: 15
SCALE: 1:1 DRAWING TYPE: INSTALLATION		SIZE: A SHEET 1 OF 1

# PARTS BREAKDOWN



FOUNTAIN COULD HAVE EITHER STYLE  
**DETAIL A**  
 ROTATED 90° INTO VIEW



		1455 KLEPPE LANE SPARKS, NEVADA 89431 (775) 359-4712 FAX (775) 359-7424 E-MAIL: HAWS@HAWS.CO.COM WEBSITE: WWW.HAWS.CO.COM	
		ECN NO: 4693 REVISION: 1 DATE: 10/19/98	BY: HM CHK'D:
MODEL(S) 1001/1001BP/1001HPS/1001HPSBP		PART NUMBER: 0002076304	
DRAWN: RMT APPROVED:		DRAWING NO.: 15989A00 REV.: 15	
SCALE: 1:1		DRAWING TYPE: PARTS BREAKDOWN	
SIZE: A		SHEET 1 OF 1	

**WHEN ORDERING PARTS PLEASE SPECIFY YOUR MODEL NUMBER**